



BEST IN GAMES, SAUNAS,  
POOL AND PATIO

# CARSON

7' MID-CENTURY MODERN POOL TABLE  
WITH TABLE TENNIS TOP - OAK/BLACK  
RB5710A



FREETIME FUN  
1830 E. FABYAN PKWY.  
BATAVIA, IL 60510  
[WWW.FREETIMEFUN.COM](http://WWW.FREETIMEFUN.COM)

Check all packaging before discarding.

Be sure all parts identified in the assembly manual  
are included.

Don't assemble if parts are missing.

If you are missing parts or have questions please  
contact our toll free line at 1-888-620-6088.

Thank you for purchasing this product. If you experience any issues during assembly or use of this product, please don't hesitate to contact Customer Service at **1-888-620-6088** for immediate assistance.

## ASSEMBLY TIPS



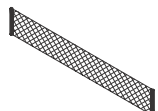

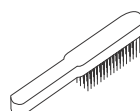
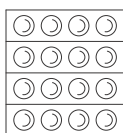





**IMPORTANT! PLEASE READ THESE ASSEMBLY INSTRUCTIONS IN ENTIRETY BEFORE ASSEMBLING YOUR PRODUCT.**

**Estimated Assembly Time: 1 hour 30 minutes.**

1. Find a clean, level surface to begin the assembly of your game table. Assembly will require two adults. You may want to carefully cut the four corners of the box so that the bottom of the box can be used as your work surface.
2. Remove all of the contents from the box and verify that you have all of the parts shown on the Parts List before you begin assembly. **Note: Some parts are pre-installed or pre-assembled.**
3. **When installing parts that have more than one screw or bolt, hand tighten all screws or bolts in place before final tightening with screwdriver or wrench.**
4. Electric screwdrivers may be helpful during assembly; however, please set a low torque and use extreme caution because screws may be stripped if overtightened, resulting in damaged parts.

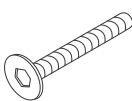
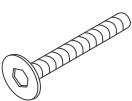


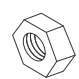
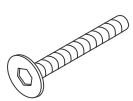



► **THIS PRODUCT IS INTENDED FOR INDOOR USE ONLY.  
DO NOT DRAG THE TABLE WHEN MOVING IT AS THIS MAY CAUSE DAMAGE TO THE LEGS.**

## ACCESSORIES

<p>9</p>  <p>Table Tennis Ball XRM17016 (2)</p>	<p>10</p>  <p>Table Tennis Racket XRB12034 (2)</p>	<p>11</p>  <p>Table Tennis Net XRB12035 (1)</p>	<p>12</p>  <p>Table Tennis Net Post XRB12036 (2)</p>	<p>13</p>  <p>Rail Brush XRB12011 (1)</p>	<p>14</p>  <p>Billiard Ball Set XRB12008 (1)</p>
<p>15</p>  <p>Cue Chalk XRB12039 (2)</p>	<p>16</p>  <p>58" Cue Stick XRB12040 (2)</p>	<p>17</p>  <p>Triangle XRB12009 (1)</p>	<p>19</p>  <p>Table Spot XRB12056 (1)</p>	<p>20</p>  <p>9" Table Brush XRB12057 (1)</p>	

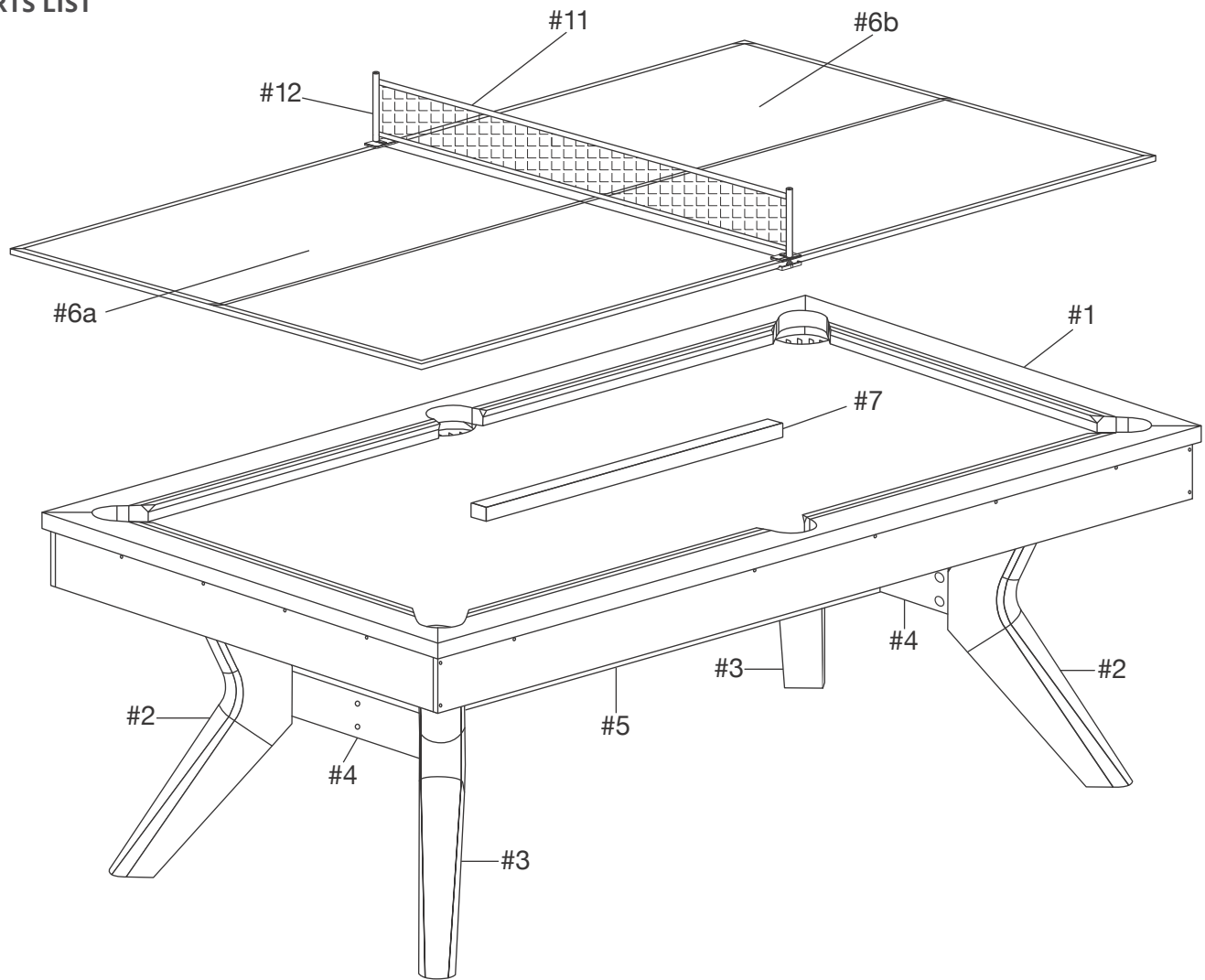
## HARDWARE PACK RB5710A - H

XRB13010

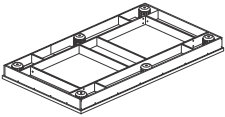
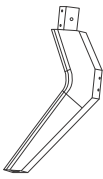
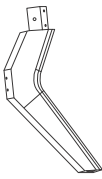
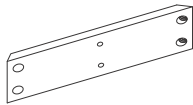
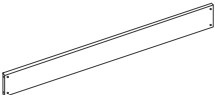
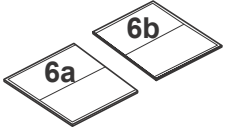
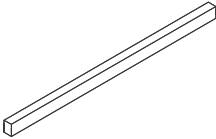

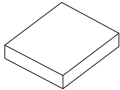
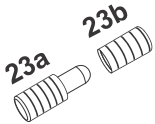
<p>22</p>  <p>5/16" x 4" Bolt (12)</p>	<p>23</p>  <p>5/16" x 3/8" Bolt (4)</p>	<p>24</p>  <p>5/16" Washer (28)</p>	<p>25</p>  <p>5/16" Spring Washer (12)</p>	<p>26</p>  <p>5/16" Nut (12)</p>	<p>27</p>  <p>1/4" x 2" Bolt (8)</p>	<p>28</p>  <p>1/4" Washer (8)</p>	<p>29</p>  <p>Wrench (1)</p>	<p>30</p>  <p>Allen Wrench (1)</p>
---	--	--	---	---	--	--	---	---

# CARSON 7' MID-CENTURY MODERN POOL TABLE

## PARTS LIST

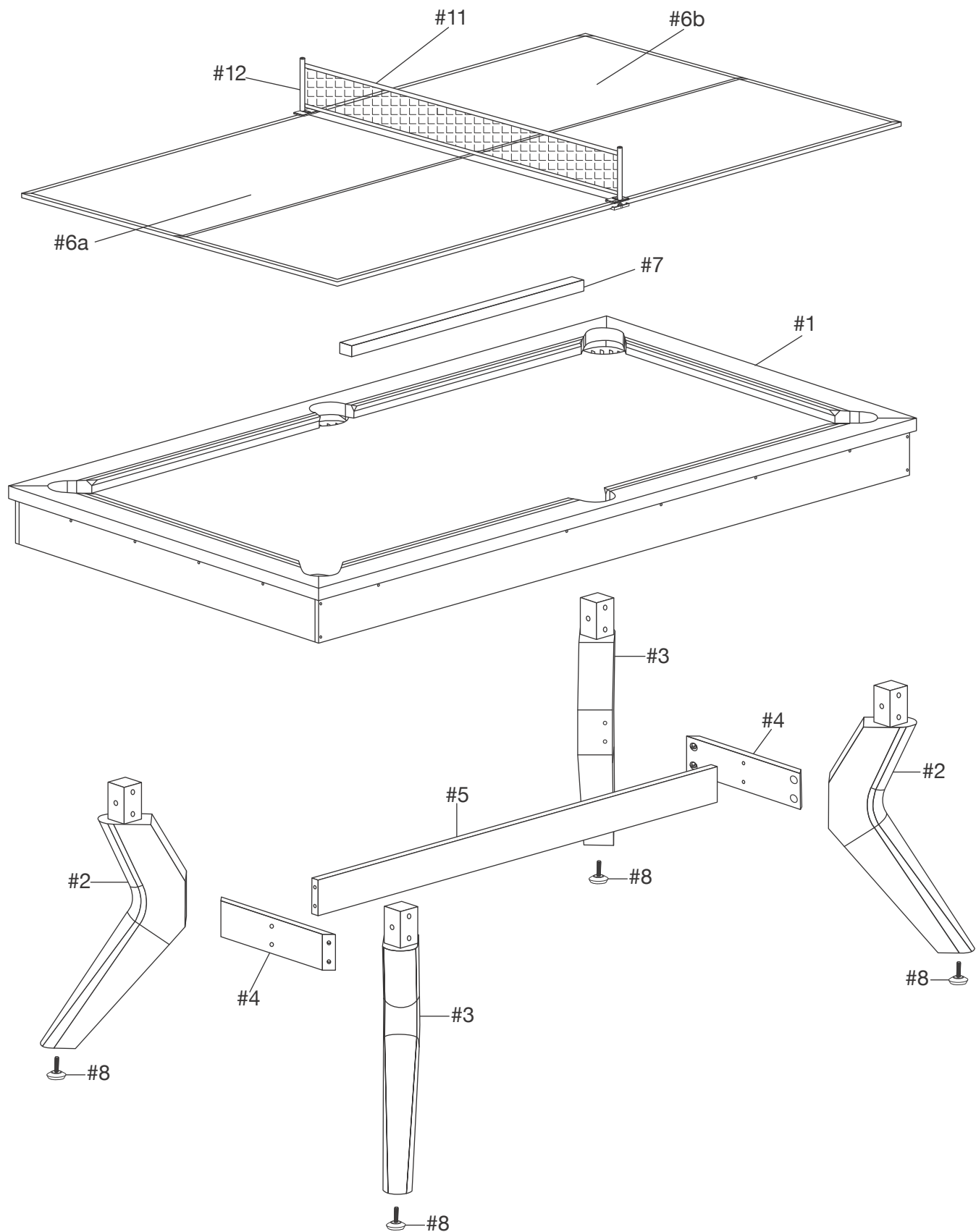


## TABLE PARTS

<p><b>1</b></p>  <p>Table Cabinet XRB13001 (1)</p>	<p><b>2</b></p>  <p>Left Leg XRB13002 (2)</p>	<p><b>3</b></p>  <p>Right Leg XRB13003 (2)</p>	<p><b>4</b></p>  <p>Leg Cross Support XRB13004 (2)</p>	<p><b>5</b></p>  <p>Cross Beam XRB13005 (1)</p>
<p><b>6</b></p>  <p>Table Tennis Top XRB13006 (2)</p>	<p><b>7</b></p>  <p>Table Tennis Top Support Board XRB12030 (2)</p>	<p><b>8</b></p>  <p>Leg Leveler XRB13008 (4)</p>	<p><b>18</b></p>  <p>EVA Top Protection Pad XRB12041 (6)</p>	<p><b>21</b></p>  <p>Top Alignment Pin Pre-Installed XRB12062 (3)</p>

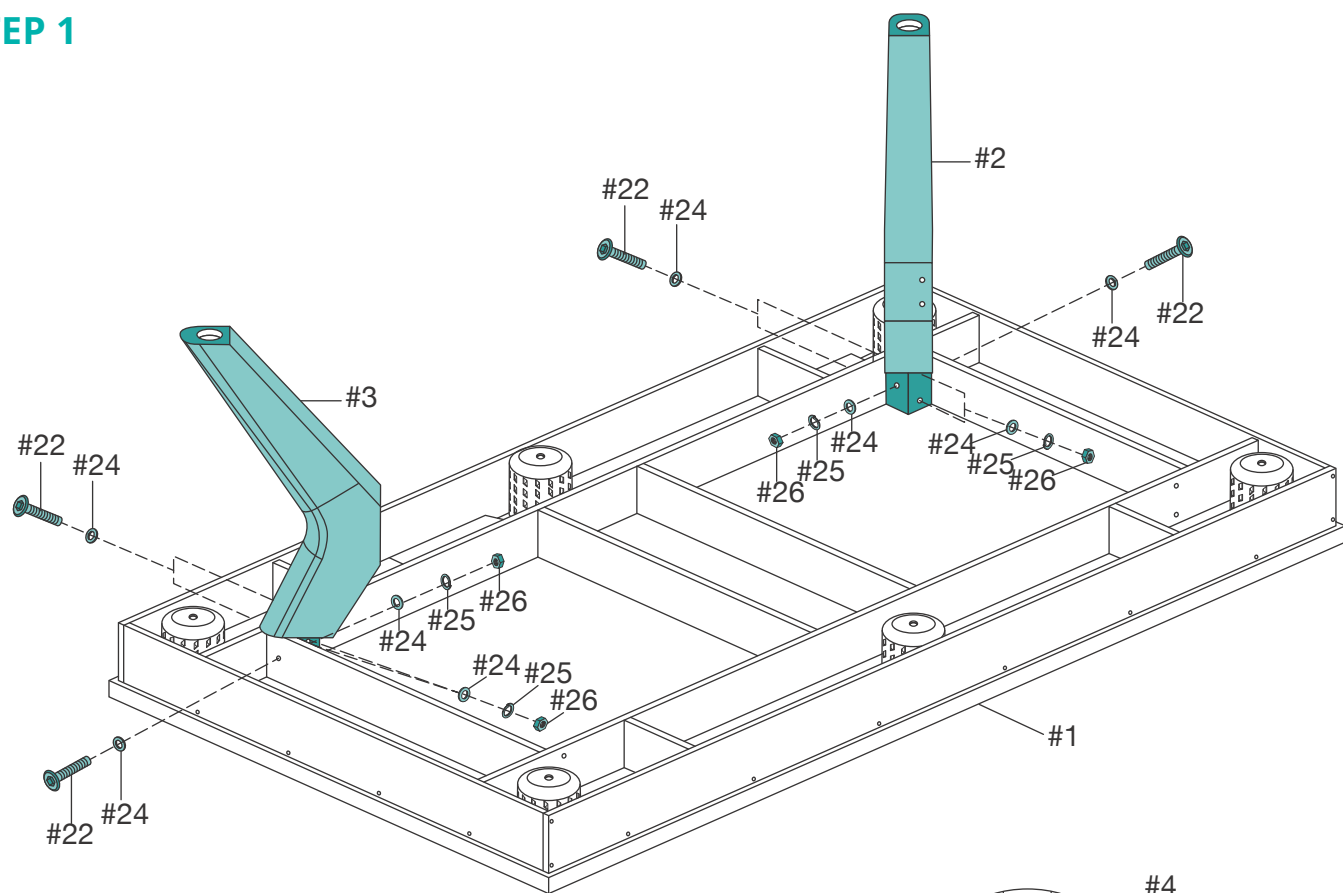
# CARSON 7' MID-CENTURY MODERN POOL TABLE

## PRE-ASSEMBLED PARTS REFERENCE DIAGRAM

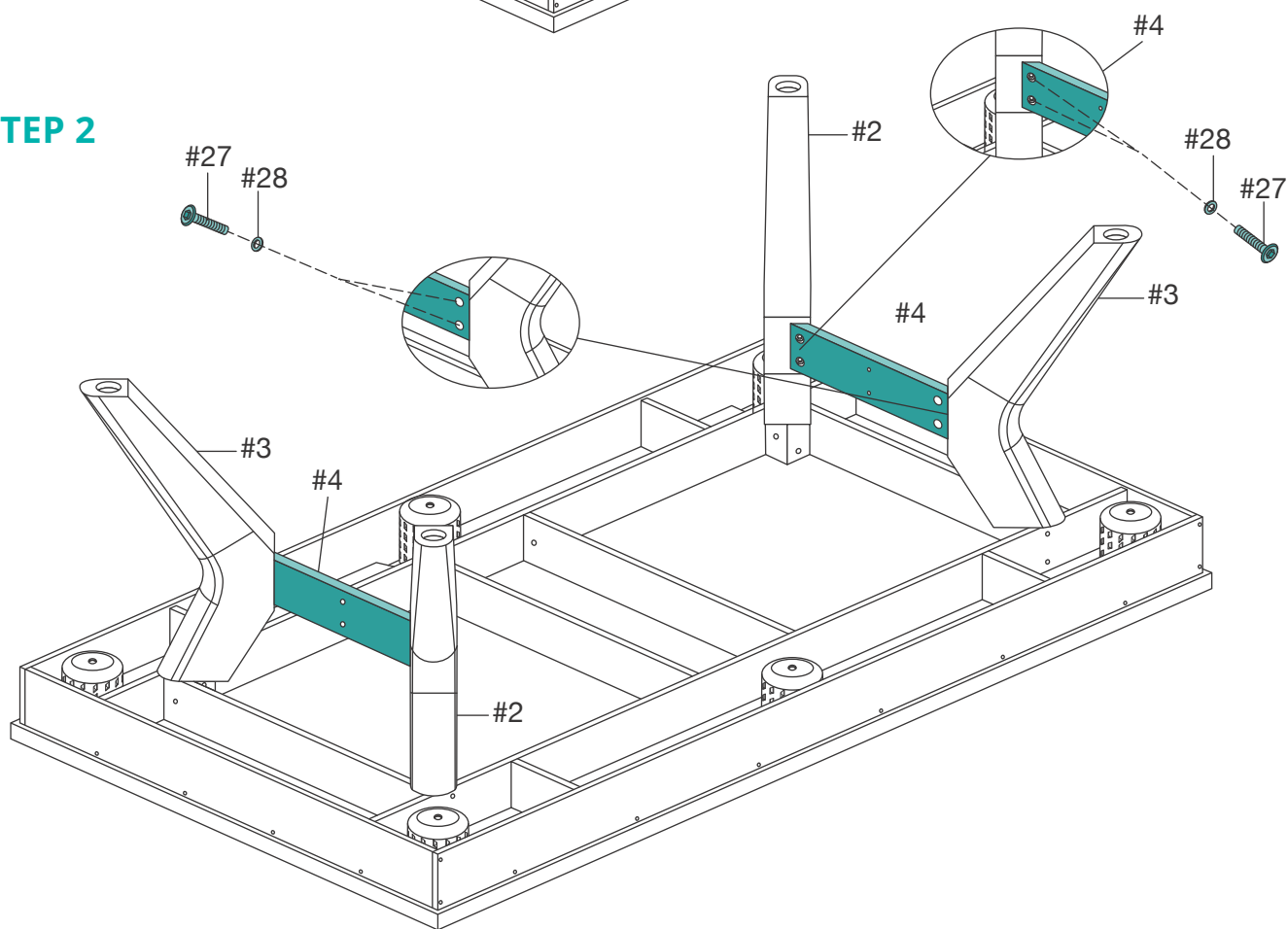


# CARSON 7' MID-CENTURY MODERN POOL TABLE ASSEMBLY INSTRUCTIONS

## STEP 1

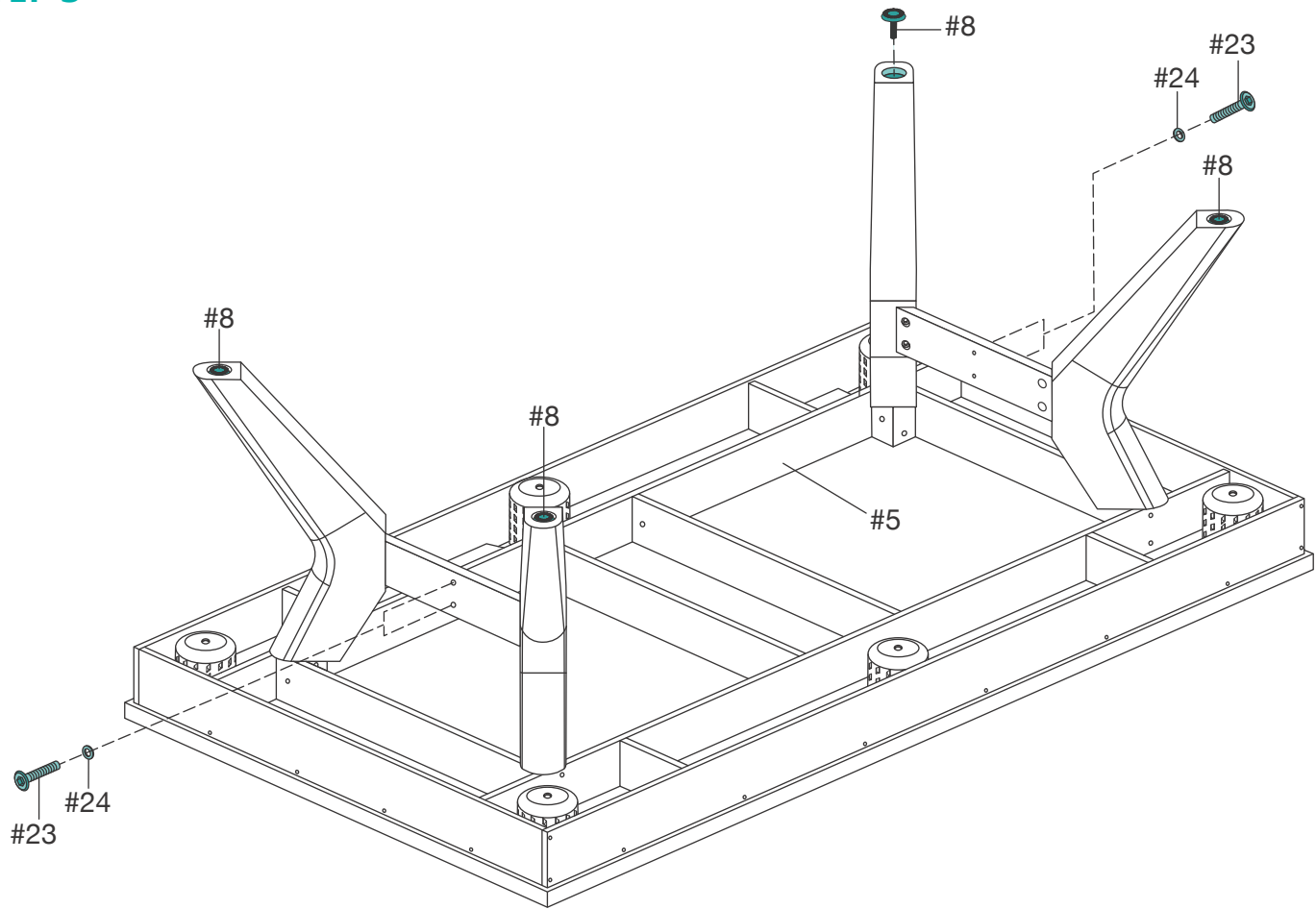


## STEP 2



# CARSON 7' MID-CENTURY MODERN POOL TABLE ASSEMBLY INSTRUCTIONS

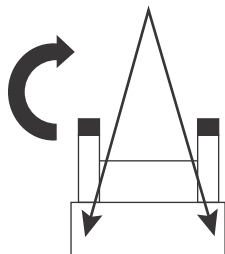
## STEP 3



## STEP 4

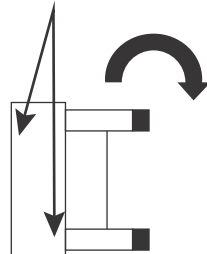
**CAUTION: THE TABLE IS HEAVY; IT IS RECOMMENDED THAT FOUR STRONG ADULTS ASSIST IN FLIPPING TABLE OVER TO THE UPRIGHT POSITION AS SHOWN BELOW.**

**HOLD TABLE CORNER**



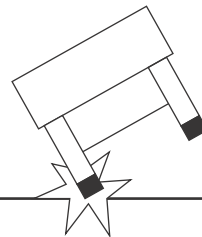
Firmly grasp the table at each cabinet corner area

**CABINET**



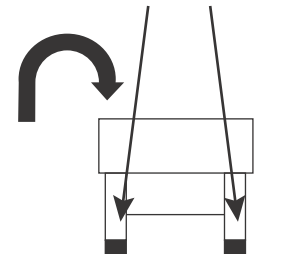
Carefully rotate the table to the upright position by grasping table top

**DO NOT LEAN THE TABLE ON ITS LEGS!**



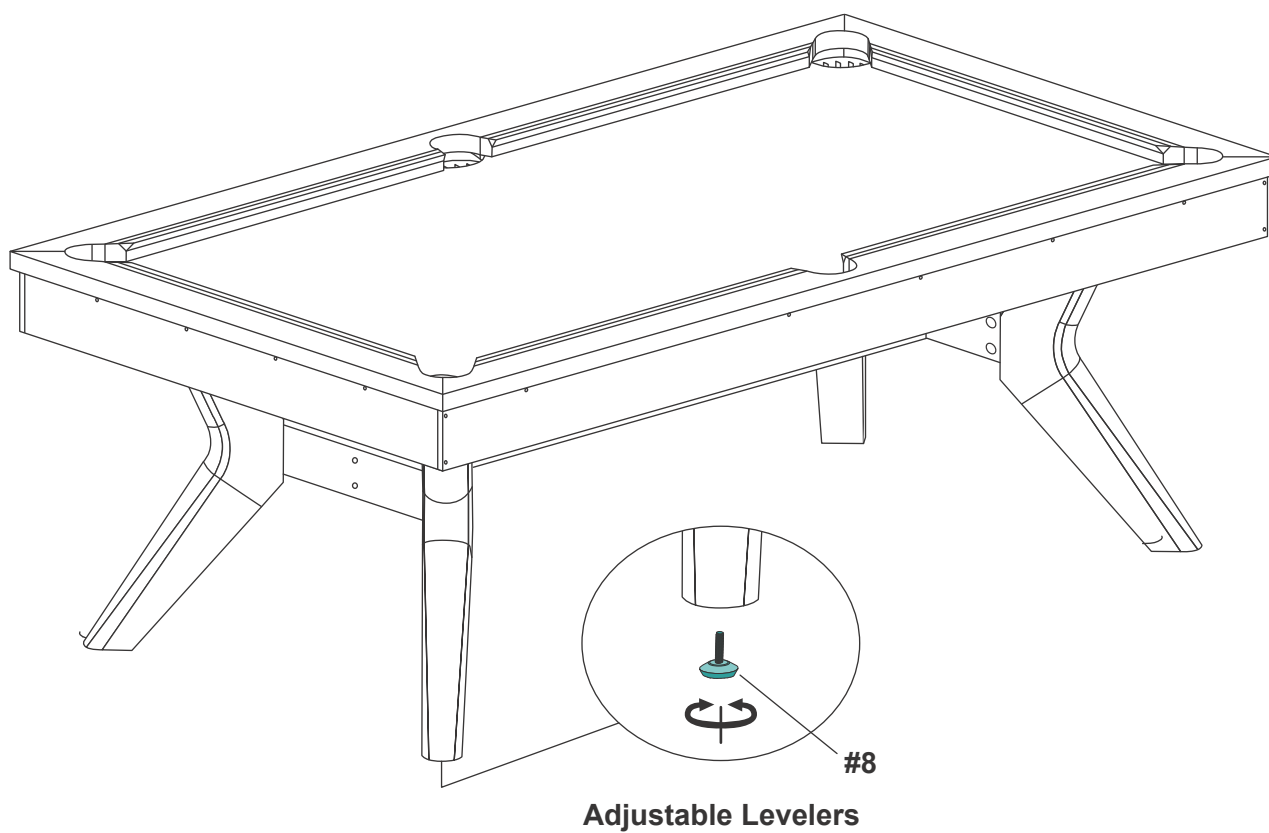
Position the table in its desired location and level the table to the floor by adjusting the leg levelers

**DO NOT HOLD THE LEGS**

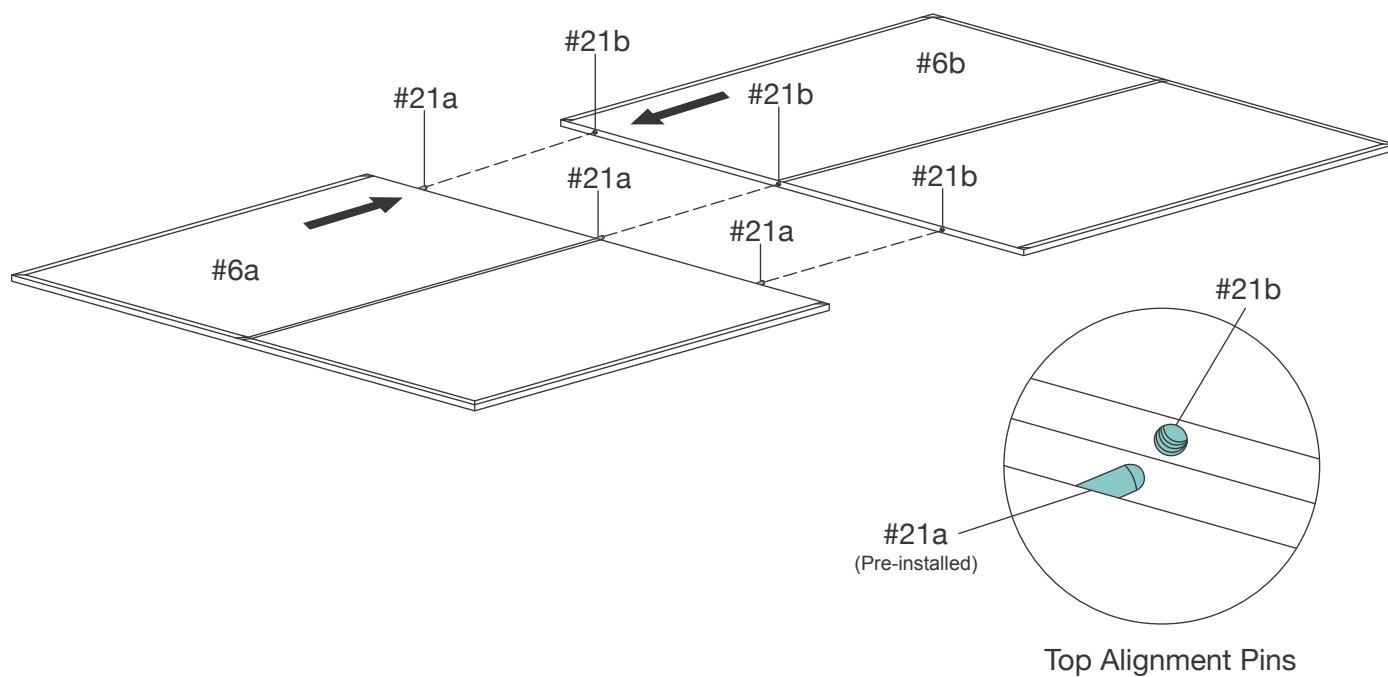


# CARSON 7' MID-CENTURY MODERN POOL TABLE ASSEMBLY INSTRUCTIONS

## STEP 5

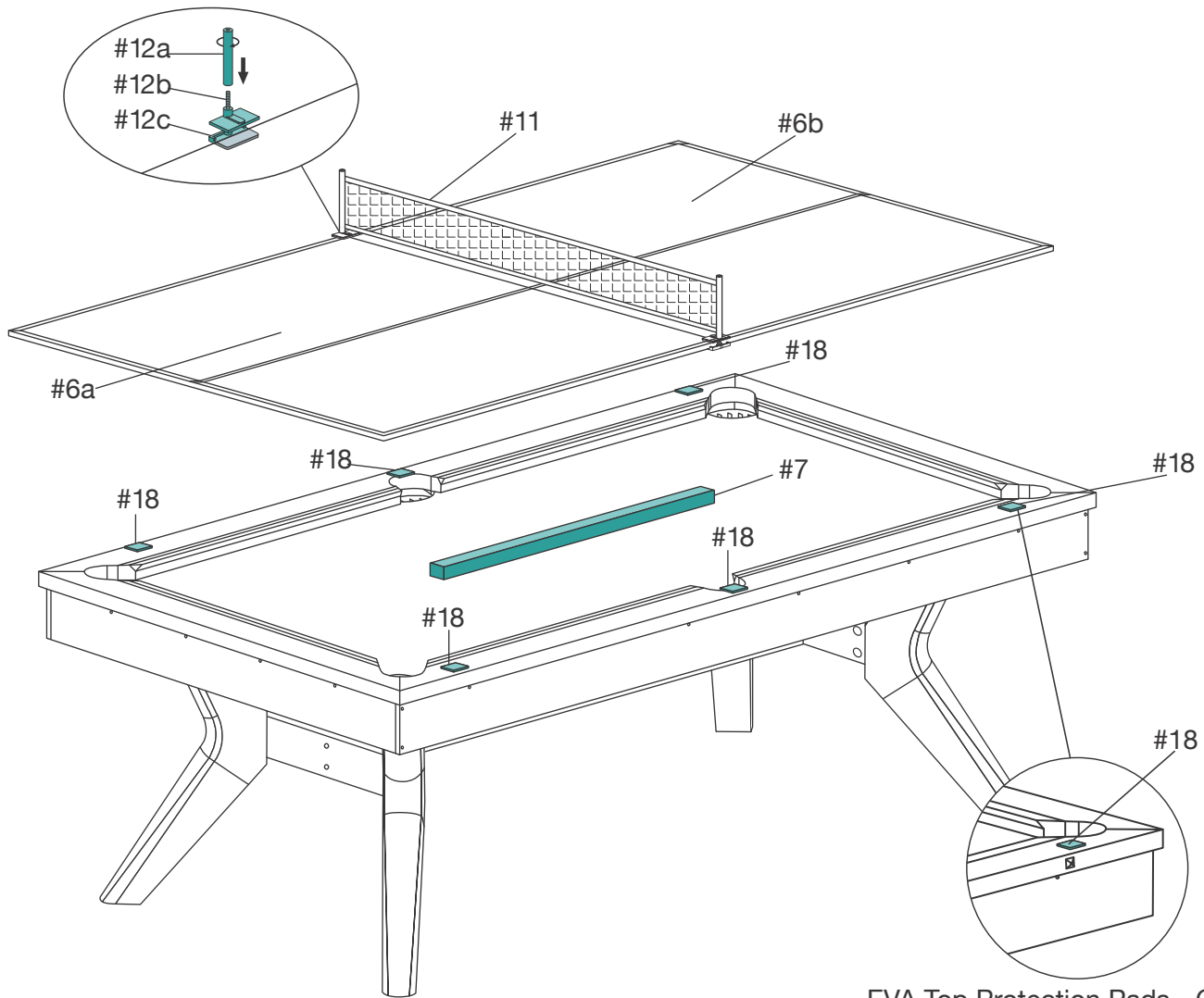


## STEP 6



# CARSON 7' MID-CENTURY MODERN POOL TABLE ASSEMBLY INSTRUCTIONS

## STEP 7



EVA Top Protection Pads - Optional  
(See Suggested Placement Above)

## YOU MAY ALSO WANT

### UNIVERSAL POOL TABLE COVER

Will fit 7' and 8' tables. Our lightweight, deluxe cover protects your pool table from fading, spills, dust, and dirt. Oversized for complete coverage. Made from breathable dust proof fabric, the cover has durable double stitched seams and weighted corners to ensure it stays put. 106" L x 64" W. **1-Year Warranty.**



<u>Item#</u>	<u>Description</u>	<u>Price</u>
RB9210	Universal Pool Table Cover	\$19.95



## 1-YEAR LIMITED WARRANTY

This product is warranted to the original purchaser to be free from defects in material or workmanship for a period of 1-Year from the date of the original retail purchase.

This warranty does not cover defects or damage due to improper installation, alteration, accident, or any other event beyond the control of the manufacturer. Defect or damage resulting from misuse, abuse, or negligence will void this warranty. This warranty does not cover scratching or damage that may result from normal usage.

This product is not intended for institutional or commercial use: the manufacturer does not assume any liability for such use. Institutional or commercial use will void this warranty.

This warranty is nontransferable and is expressly limited to the repair or replacement of the defective product. During the warranty period, the manufacturer shall repair or replace defective parts at no cost to the purchaser. Labor charges and related expenses for removal, installation or replacement of the product, or components are not covered under this warranty.

The manufacturer reserves the right to make substitutions to warranty claims if parts are unavailable or obsolete.

The manufacturer shall not be liable for loss of use of the product, or other consequential or incidental costs, expenses or damage incurred by the consumer of any other use.

All warranty claims must be made to Freetime Fun. A purchase receipt with purchase date will be required to process all warranty claims. The model number and part numbers found within the assembly instructions will be required when submitting any parts requests or warranty claims.

**BE SURE TO CHECK OUR WEBSITE AT FREETIMEFUN.COM  
FOR GREAT NEW GAMES, SAUNAS, PATIO, AND POOL SUPPLIES FOR YOUR HOME AND FAMILY!  
WWW.FREETIMEFUN.COM**



1830 E. FABYAN PKWY, BATAVIA, IL 60510  
PHONE: 1-888-620-6088  
EMAIL: CUSTOMERSERVICE@FREETIMEFUN.COM

TO ORDER REPLACEMENT PARTS  
VISIT OUR WEBSITE  
WWW.FREETIMEFUN.COM