



**BEST IN GAMES, SAUNAS,
POOL AND PATIO**

ASHFORD 6-FT FOLDING LEG PORTABLE POOL TABLE RB2014



**FREETIME FUN
1830 E. FABYAN PKWY.
BATAVIA, IL 60510
WWW.FREETIMEFUN.COM**

Check all packaging before discarding.

**Be sure all parts identified in the assembly manual
are included.**

Don't assemble if parts are missing.

**If you are missing parts or have questions please
contact our toll free line at 1-888-620-6088.**

Thank you for purchasing this product. If you experience any issues during assembly or use of this product, please don't hesitate to contact Customer Service at **1-888-620-6088** for immediate assistance.

ASSEMBLY TIPS

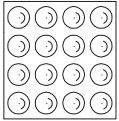




IMPORTANT! PLEASE READ THESE ASSEMBLY INSTRUCTIONS IN ENTIRETY BEFORE ASSEMBLING YOUR PRODUCT.

Estimated Assembly Time: 20 minutes.

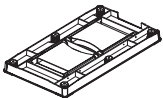
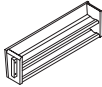
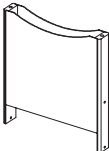


1. Find a clean, level surface to begin the assembly of your game table. Assembly will require two adults. You may want to carefully cut the four corners of the box so that the bottom of the box can be used as your work surface.
2. Remove all of the contents from the box and verify that you have all of the parts shown on the Parts List before you begin assembly. **Note: Some parts are pre-installed or pre-assembled.**
3. **When installing parts that have more than one screw or bolt, hand tighten all screws or bolts in place before final tightening with screwdriver or wrench.**
4. Electric screwdrivers may be helpful during assembly; however, please set a low torque and use extreme caution because screws may be stripped if overtightened, resulting in damaged parts.

▶ **THIS PRODUCT IS INTENDED FOR INDOOR USE ONLY.
DO NOT DRAG THE TABLE WHEN MOVING IT AS THIS MAY CAUSE DAMAGE TO THE LEGS.**


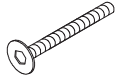



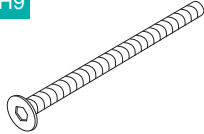



ACCESSORIES

#3  BILLIARD BALLS 1 set	#4  TRIANGLE 1 pc	#5  58" CUE STICK 2 pcs	#6  BRUSH 1 pc	#7  CHALK 2 pcs
---	--	--	---	---

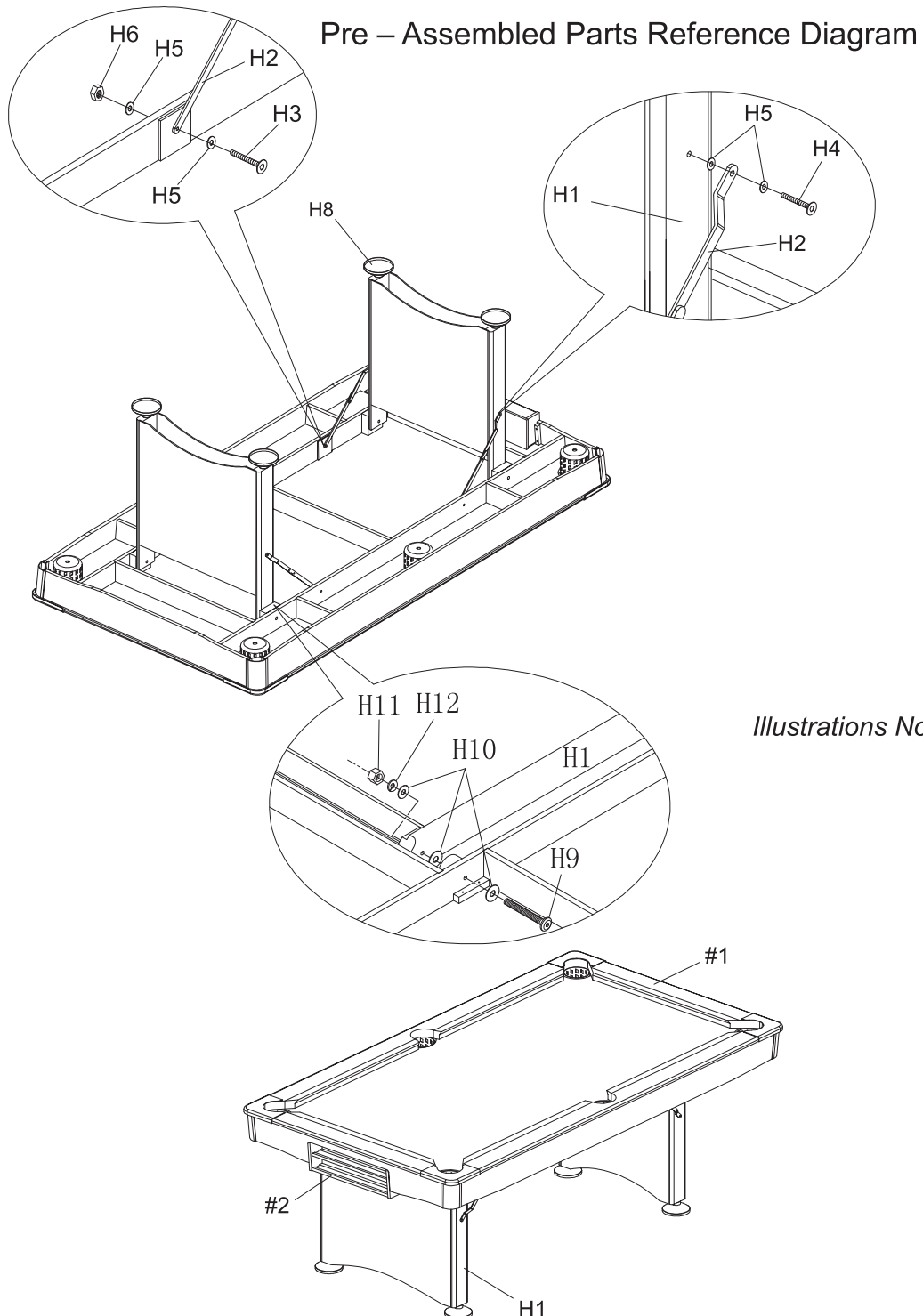
PARTS

#1  TABLE BODY Pre-Assembled 1 set	#2  BALL STORAGE BOX 1 pc	H1  LEG Pre-Installed 2 sets	H2  METAL HINGE Pre-Installed 2 sets	H8  LEG LEVELER Pre-Installed 4 pcs
--	--	--	--	--

HARDWARE RB2014 - H

<p>H3</p>  <p>1/4" x 1-1/4" BOLT Pre-Installed 4 pcs</p>	<p>H4</p>  <p>1/4" x 1-3/4" BOLT Pre-Installed 4 pcs</p>	<p>H5</p>  <p>1/4" WASHER Pre-Installed 16 pcs</p>	<p>H6</p>  <p>1/4" NUT Pre-Installed 4 pcs</p>	<p>H7</p>  <p>1/8" x 1-3/8" SCREW 4 pcs</p>	<p>H9</p>  <p>5/16" x 4-1/2" BOLT Pre-Installed 4 pcs</p>	<p>H10</p>  <p>5/16" WASHER Pre-Installed 12 pcs</p>
<p>H11</p>  <p>5/16" NUT Pre-Installed 4 pcs</p>	<p>H12</p>  <p>5/16" SPRING WASHER Pre-Installed 4 pcs</p>					

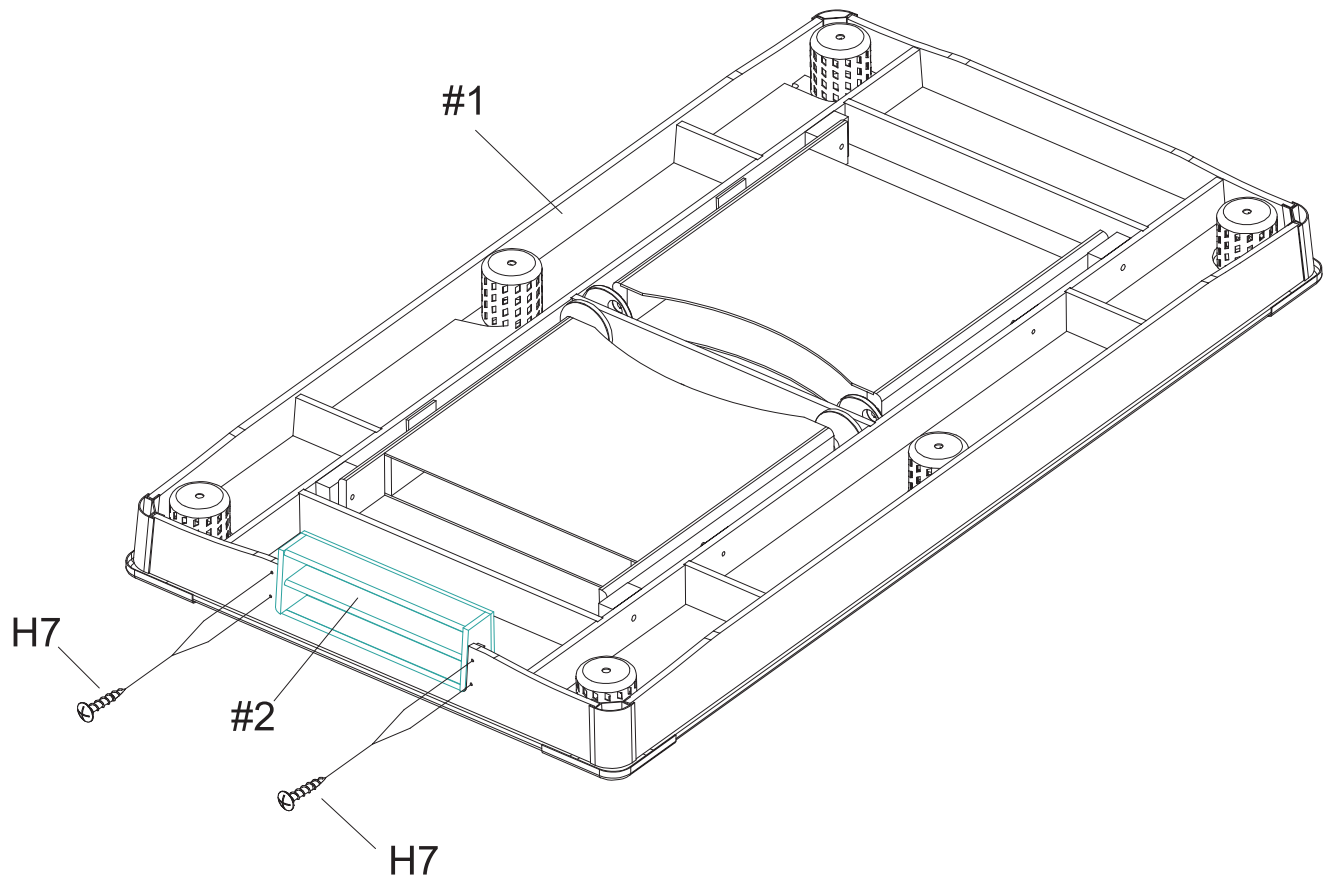
ASHFORD 6-FT FOLDING LEG PORTABLE POOL TABLE



ASSEMBLY INSTRUCTIONS

STEP 1

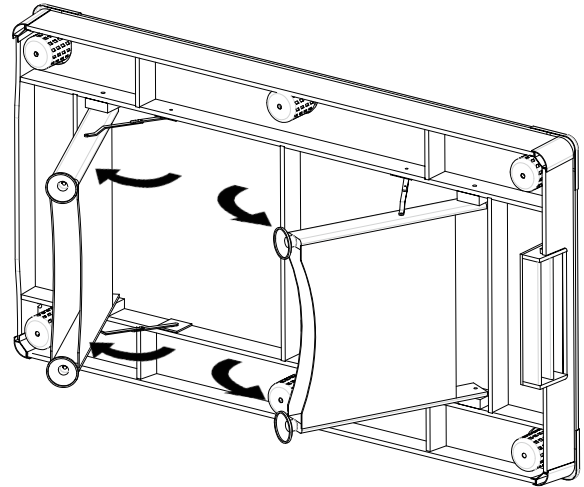
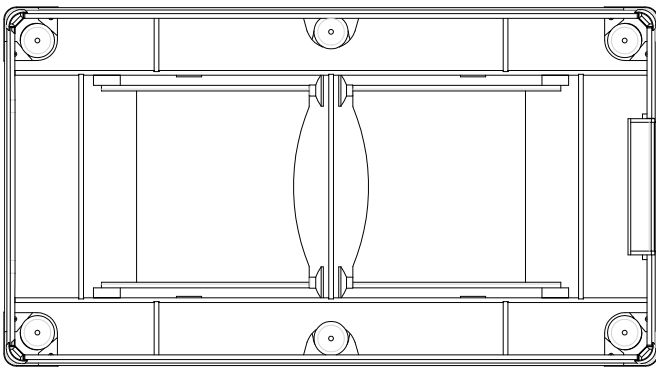
Place the mainframe #1 on a level surface with the playing side down.
Attach the ball storage box #2 to the table mainframe by using the #H7 screws as shown.



ASSEMBLY INSTRUCTIONS

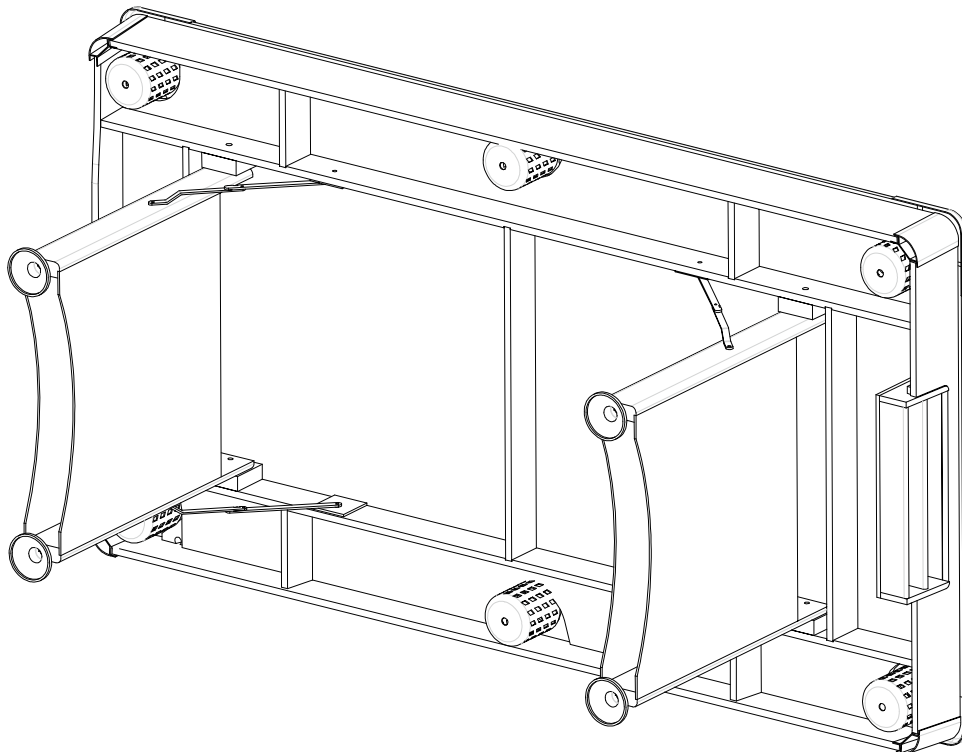
STEP 2

Firmly grasp the table at the corners and lift on edge. Swing open the leg assemblies on both ends of the table.



STEP 3

Press down and lock the steel leg brackets in place.

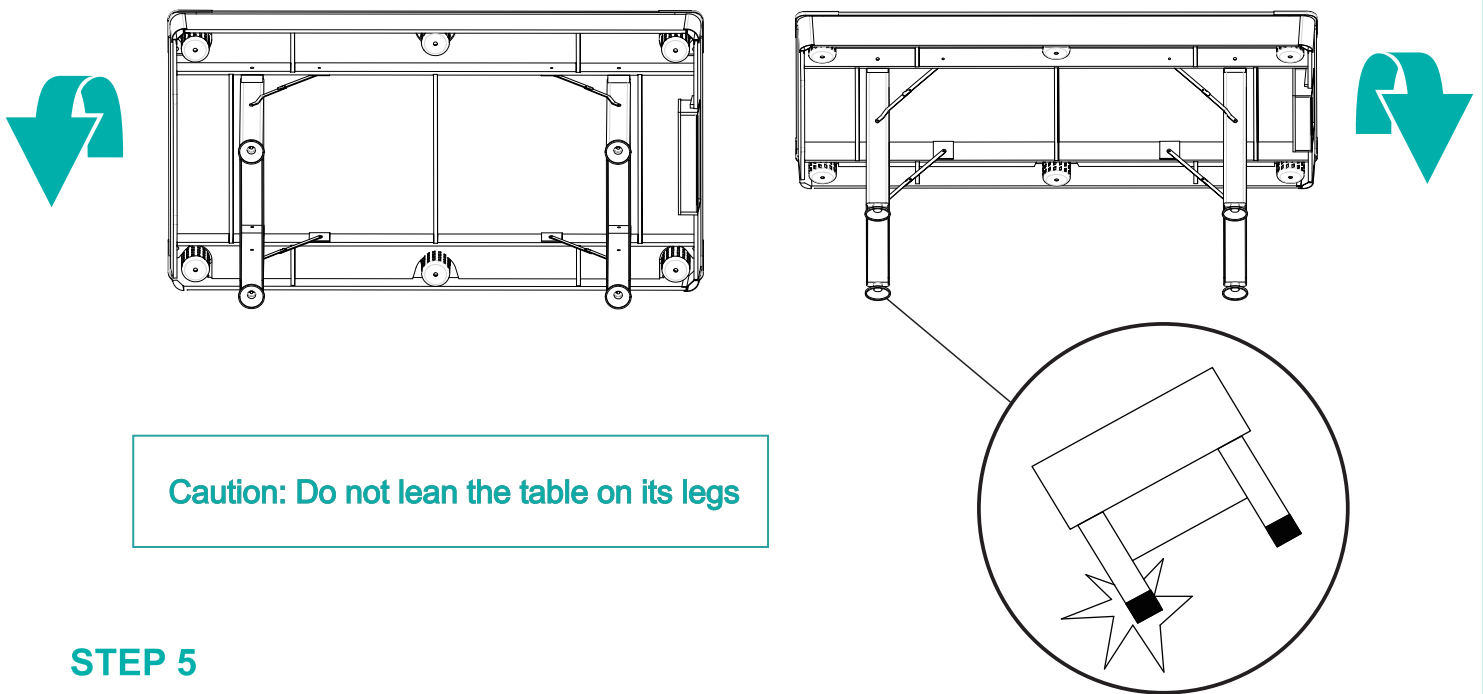


ASSEMBLY INSTRUCTIONS

Caution: The table is heavy; it is recommended that two strong adults assist in flipping the table over to the upright position

STEP 4

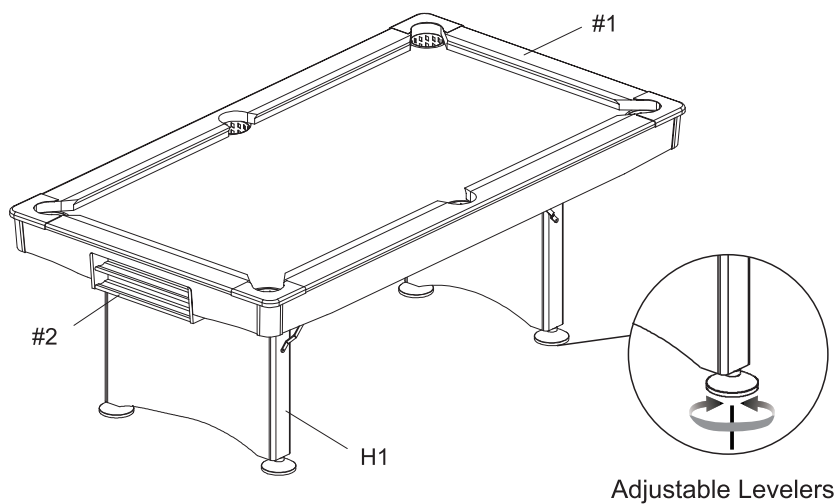
Firmly grasp the table at the cabinet corners and carefully flip the table over to the upright position.



Caution: Do not lean the table on its legs

STEP 5

Position the table in its desired location and level the table to the floor by adjusting the leg levelers.



1-YEAR LIMITED WARRANTY

This product is warranted to the original purchaser to be free from defects in material or workmanship for a period of 1-Year from the date of the original retail purchase.

This warranty does not cover defects or damage due to improper installation, alteration, accident, or any other event beyond the control of the manufacturer. Defect or damage resulting from misuse, abuse, or negligence will void this warranty. This warranty does not cover scratching or damage that may result from normal usage.

This product is not intended for institutional or commercial use: the manufacturer does not assume any liability for such use. Institutional or commercial use will void this warranty.

This warranty is nontransferable and is expressly limited to the repair or replacement of the defective product. During the warranty period, the manufacturer shall repair or replace defective parts at no cost to the purchaser. Labor charges and related expenses for removal, installation or replacement of the product, or components are not covered under this warranty.

The manufacturer reserves the right to make substitutions to warranty claims if parts are unavailable or obsolete.

The manufacturer shall not be liable for loss of use of the product, or other consequential or incidental costs, expenses or damage incurred by the consumer of any other use.

All warranty claims must be made to Freetime Fun. A purchase receipt with purchase date will be required to process all warranty claims. The model number and part numbers found within the assembly instructions will be required when submitting any parts requests or warranty claims.

**BE SURE TO CHECK OUR WEBSITE AT FREETIMEFUN.COM
FOR GREAT NEW GAMES, SAUNAS, PATIO, AND POOL SUPPLIES FOR YOUR HOME AND FAMILY!
WWW.FREETIMEFUN.COM**



1830 E. FABYAN PKWY, BATAVIA, IL 60510
PHONE: 1-888-620-6088
EMAIL: CUSTOMERSERVICE@FREETIMEFUN.COM

TO ORDER REPLACEMENT PARTS
VISIT OUR WEBSITE
WWW.FREETIMEFUN.COM