



**BEST IN GAMES, SAUNAS,
POOL AND PATIO**

ROCKFORD

**7' POOL TABLE WITH TABLE TENNIS TOP
RB3010A**



**FREETIME FUN
1830 E. FABYAN PKWY.
BATAVIA, IL 60510
WWW.FREETIMEFUN.COM**

Check all packaging before discarding.

Be sure all parts identified in the assembly manual are included.

Don't assemble if parts are missing.

If you are missing parts or have questions please contact our toll free line at 1-888-620-6088.

Thank you for purchasing this product. If you experience any issues during assembly or use of this product, please don't hesitate to contact Customer Service at **1-888-620-6088** for immediate assistance.

ASSEMBLY TIPS



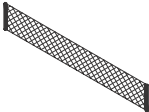

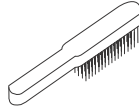
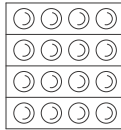
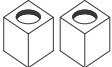
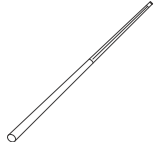



IMPORTANT! PLEASE READ THESE ASSEMBLY INSTRUCTIONS IN ENTIRETY BEFORE ASSEMBLING YOUR PRODUCT.

Estimated Assembly Time: 1 hour 30 minutes.

1. Find a clean, level surface to begin the assembly of your game table. Assembly will require two adults. You may want to carefully cut the four corners of the box so that the bottom of the box can be used as your work surface.
2. Remove all of the contents from the box and verify that you have all of the parts shown on the Parts List before you begin assembly. **Note: Some parts are pre-installed or pre-assembled.**
3. **When installing parts that have more than one screw or bolt, hand tighten all screws or bolts in place before final tightening with screwdriver or wrench.**
4. Electric screwdrivers may be helpful during assembly; however, please set a low torque and use extreme caution because screws may be stripped if overtightened, resulting in damaged parts.

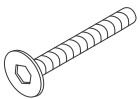

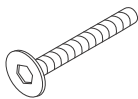



► **THIS PRODUCT IS INTENDED FOR INDOOR USE ONLY.
DO NOT DRAG THE TABLE WHEN MOVING IT AS THIS MAY CAUSE DAMAGE TO THE LEGS.**

ACCESSORIES

12  Table Tennis Ball XRM17016 (2)	13  Table Tennis Racket XRB12034 (2)	14  Table Tennis Net XRB12035 (1)	15  Table Tennis Net Post XRB12036 (2)	16  Rail Brush XRB12011 (1)	17  Billiard Ball Set XRB12008 (1)
18  Cue Chalk XRB12039 (2)	19  58" Cue Stick XRB12040 (2)	20  Triangle XRB12009 (1)	43  Table Spot XRB12056 (2)	44  9" Table Brush XRB12057 (1)	

HARDWARE PACK RB3010A - H

XRB12042

24  5/16" x 6" Bolt (4)	25  5/16" Washer (4)	26  1/4" x 1 3/4" Bolt (36)	27  1/4" Washer (36)	38  1/8" x 3/4" Screw (4)	30  Allen Wrench (1)
--	---	--	--	--	---

ROCKFORD 7' POOL TABLE WITH TABLE TENNIS TOP

PARTS LIST

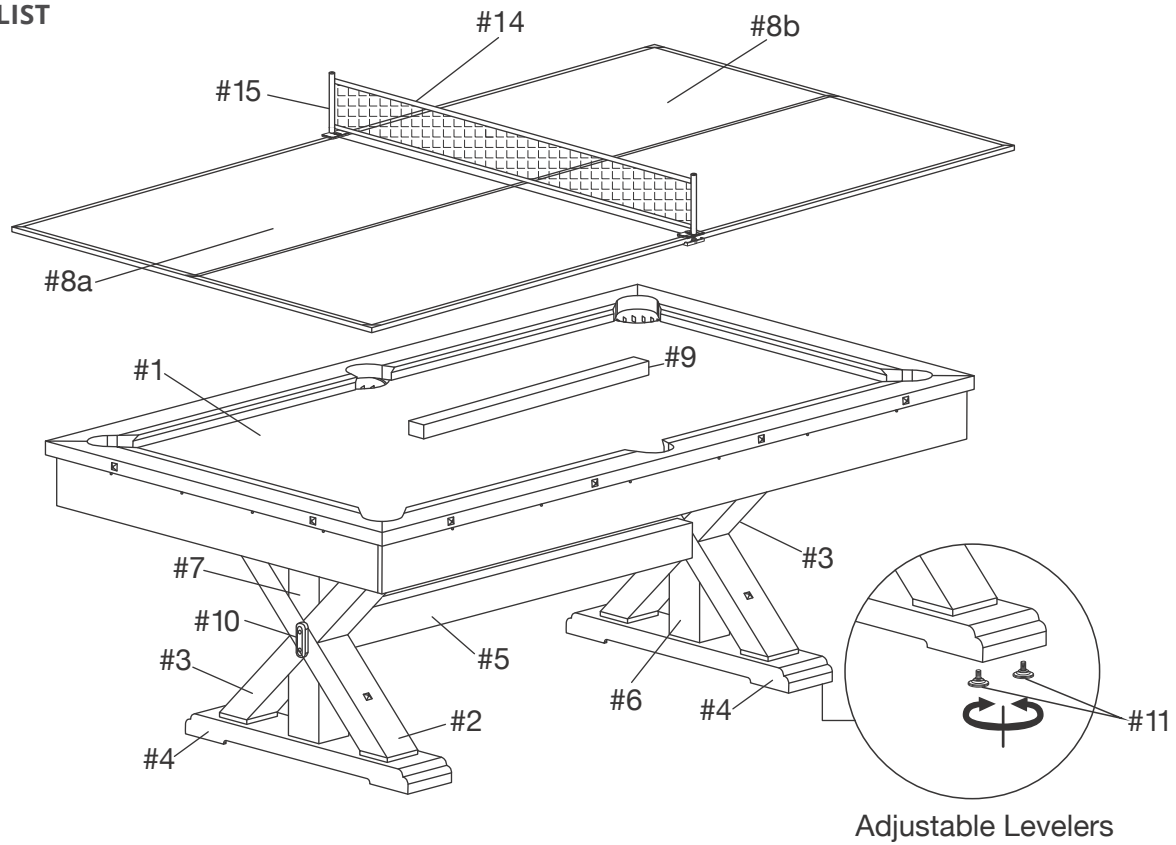
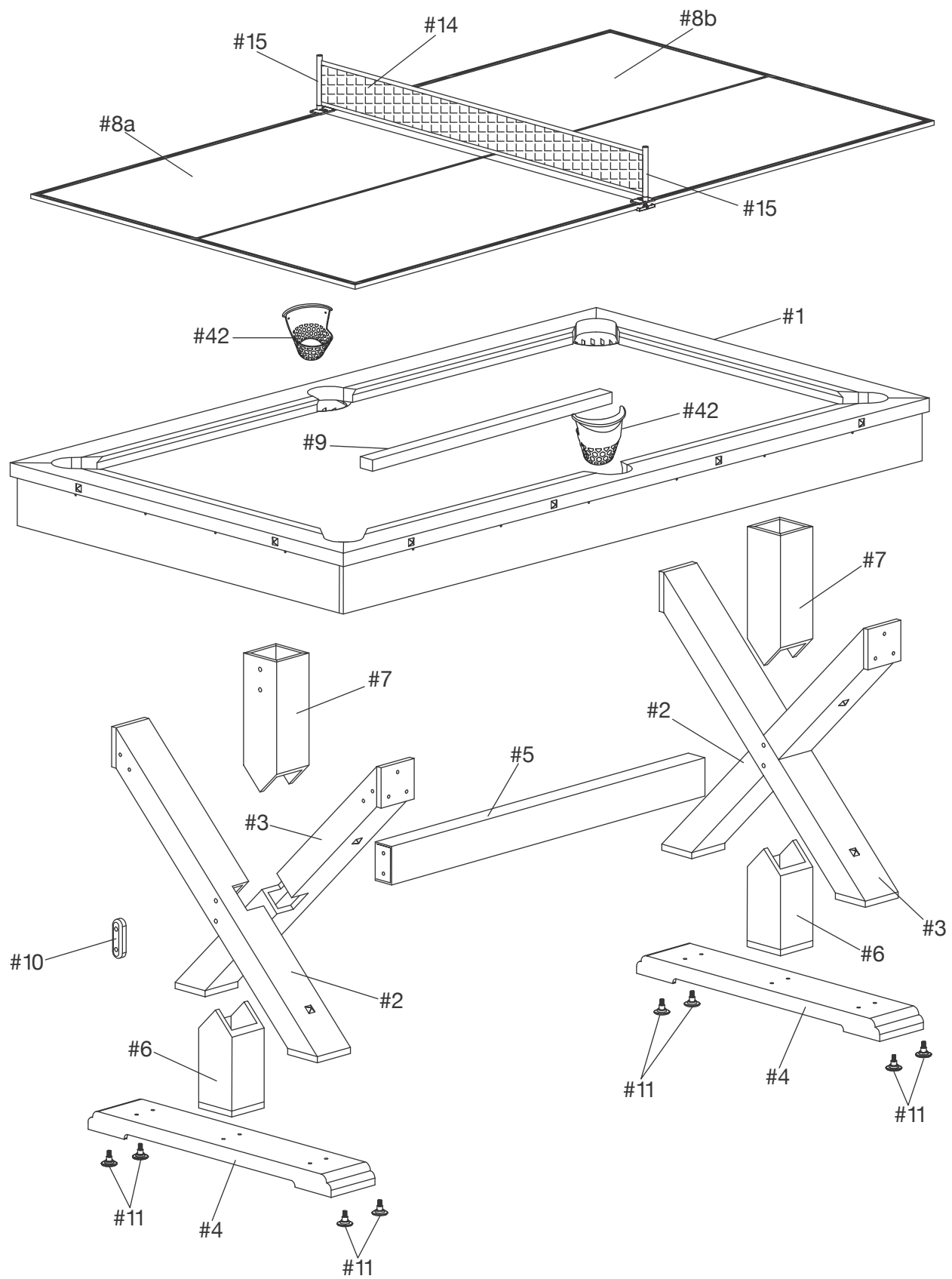


TABLE PARTS

<p>1</p> <p>Table Cabinet XRB12022 (1)</p>	<p>2</p> <p>Left Leg Crosspiece XRB12023 (2)</p>	<p>3</p> <p>Right Leg Crosspiece XRB12024 (2)</p>	<p>4</p> <p>Leg Base XRB12025 (2)</p>	<p>5</p> <p>Cross Beam XRB12026 (1)</p>
<p>6</p> <p>Lower Leg Support XRB12027 (2)</p>	<p>7</p> <p>Upper Leg Support XRB12028 (2)</p>	<p>8</p> <p>Table Tennis Top XRB12029 (2)</p>	<p>9</p> <p>Table Tennis Top Support Board XRB12030 (1)</p>	<p>10</p> <p>Connection Block XRB12031 (2)</p>
<p>11</p> <p>Leg Leveler XRB12032 (8)</p>	<p>22</p> <p>EVA Top Protection Pad XRB12041 (6)</p>	<p>23</p> <p>Top Alignment Pin Pre-Installed XRB12062 (3)</p>	<p>42</p> <p>Side Pocket XRB12055 (2)</p>	

ROCKFORD 7' POOL TABLE WITH TABLE TENNIS TOP

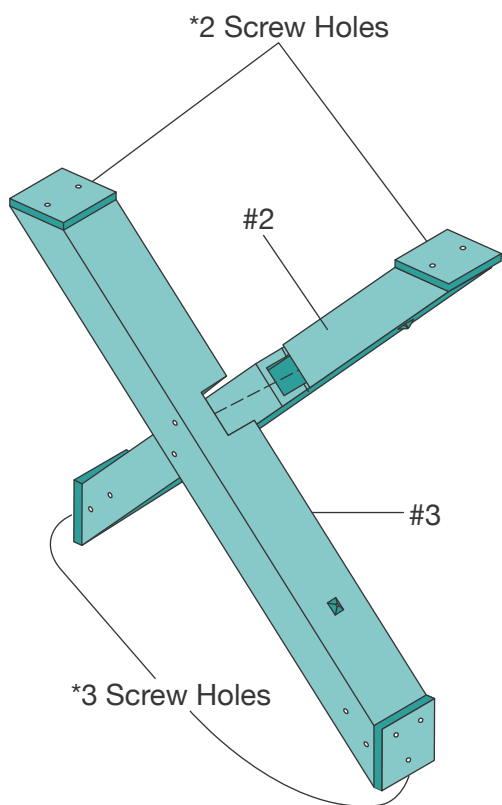
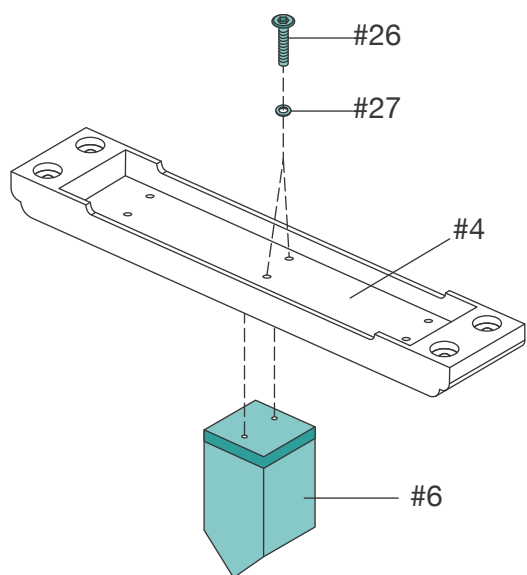
PRE-ASSEMBLED PARTS REFERENCE DIAGRAM



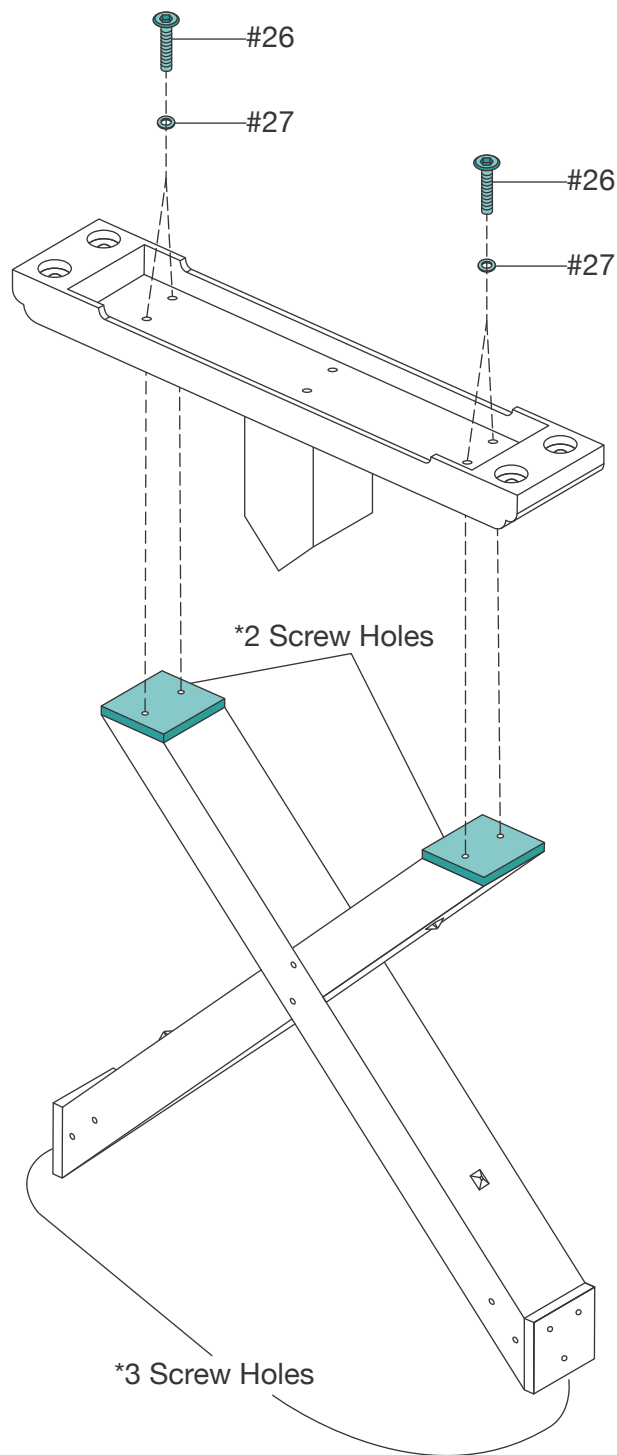
ROCKFORD 7' POOL TABLE WITH TABLE TENNIS TOP ASSEMBLY INSTRUCTIONS

STEP 1

Repeat this process for both table leg assemblies.

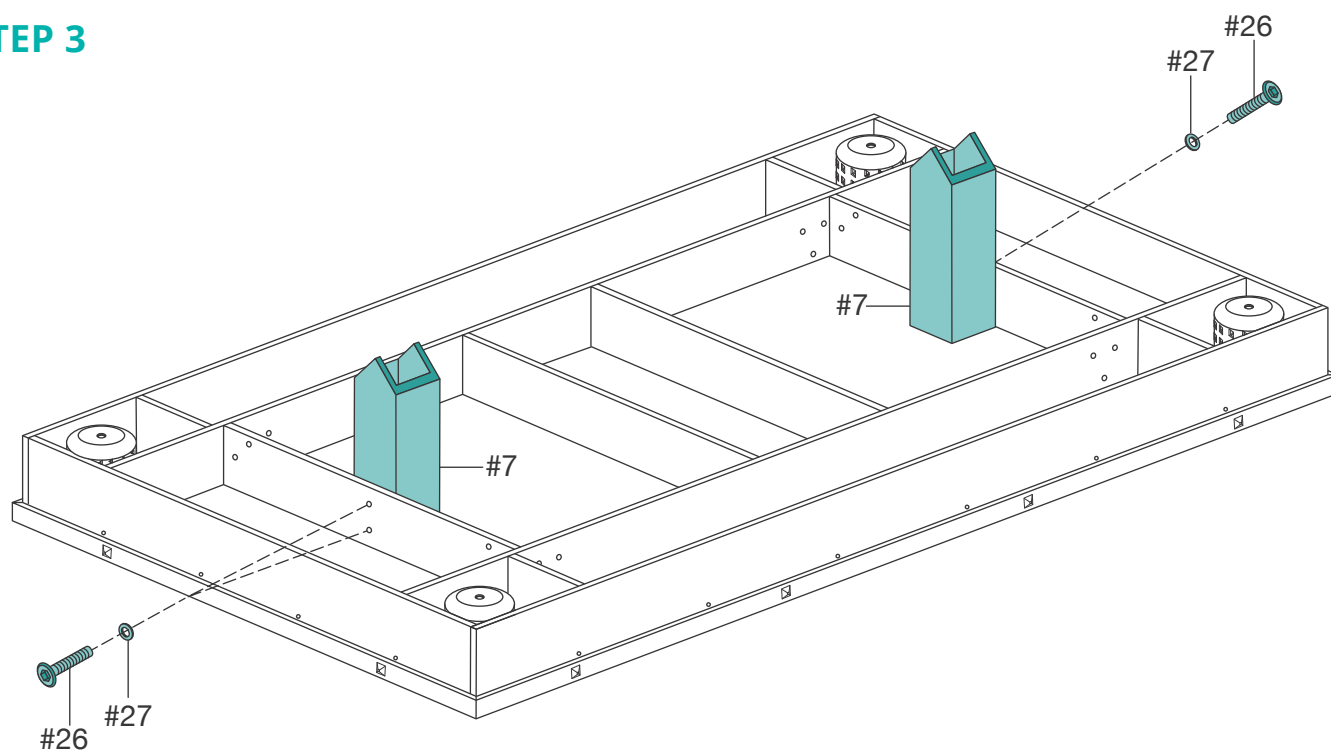


STEP 2

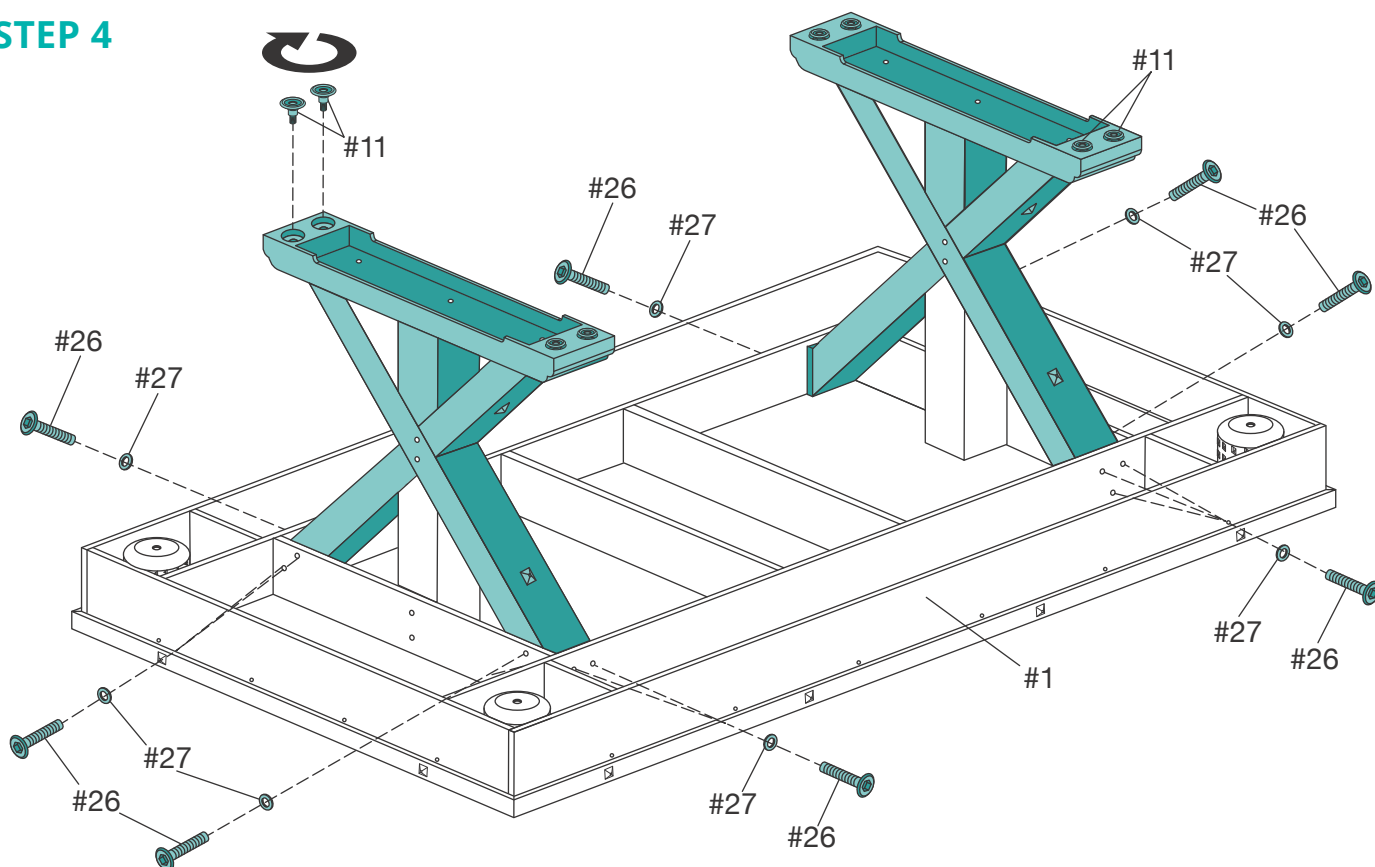


ROCKFORD 7' POOL TABLE WITH TABLE TENNIS TOP ASSEMBLY INSTRUCTIONS

STEP 3

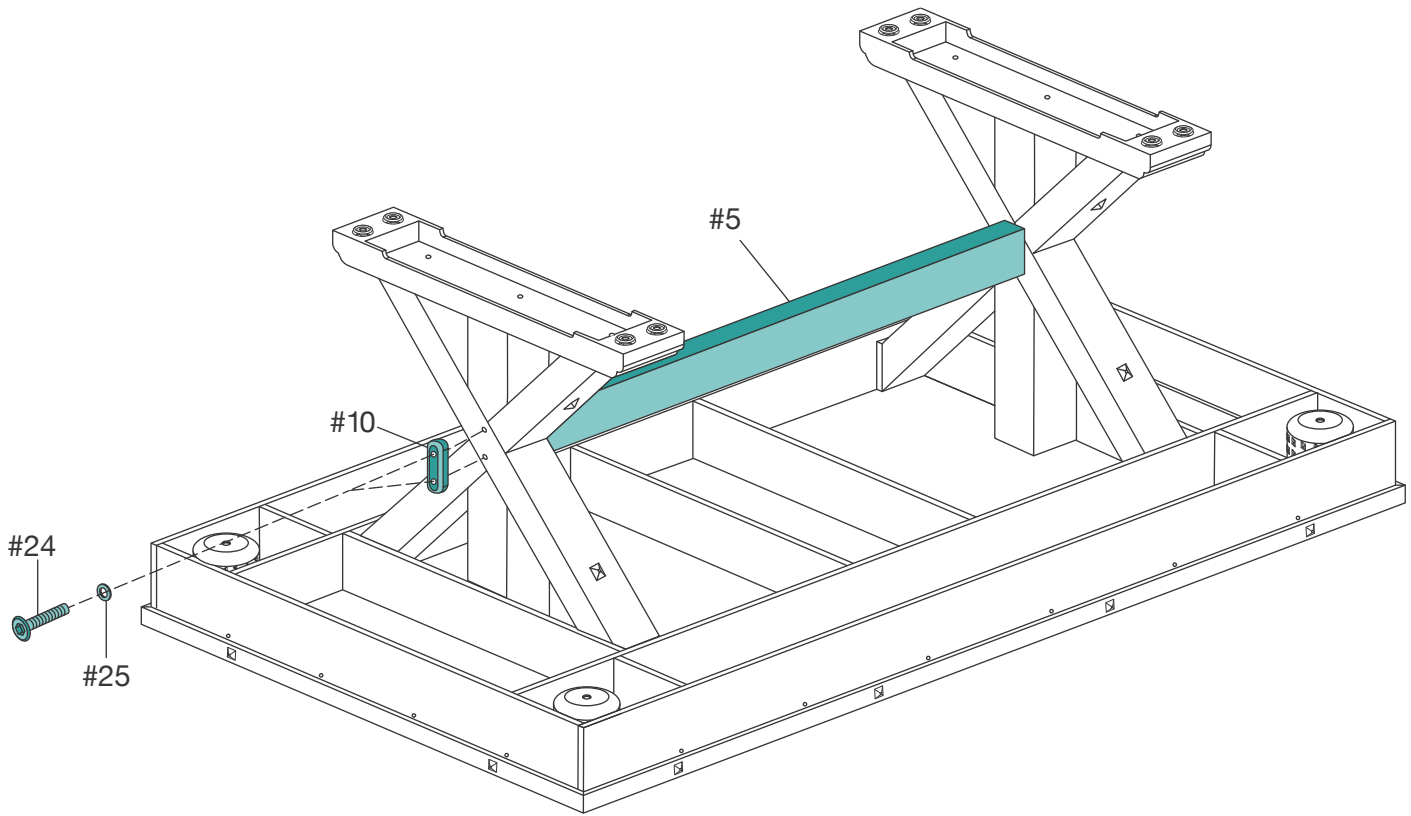


STEP 4



ROCKFORD 7' POOL TABLE WITH TABLE TENNIS TOP ASSEMBLY INSTRUCTIONS

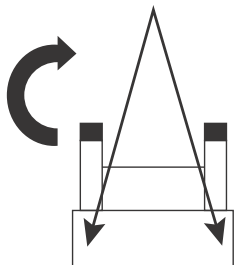
STEP 5



STEP 6

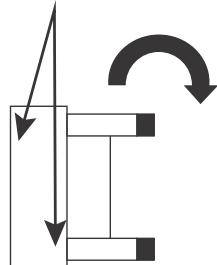
CAUTION: THE TABLE IS HEAVY; IT IS RECOMMENDED THAT FOUR STRONG ADULTS ASSIST IN FLIPPING TABLE OVER TO THE UPRIGHT POSITION AS SHOWN BELOW.

HOLD TABLE CORNER



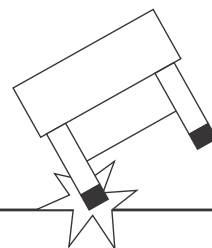
Firmly grasp the table at each cabinet corner area

CABINET

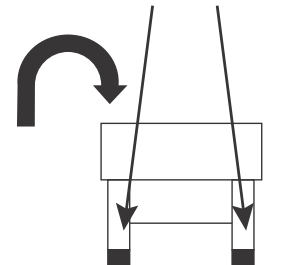


Carefully rotate the table to the upright position by grasping table top

DO NOT LEAN THE TABLE ON ITS LEGS!



DO NOT HOLD THE LEGS



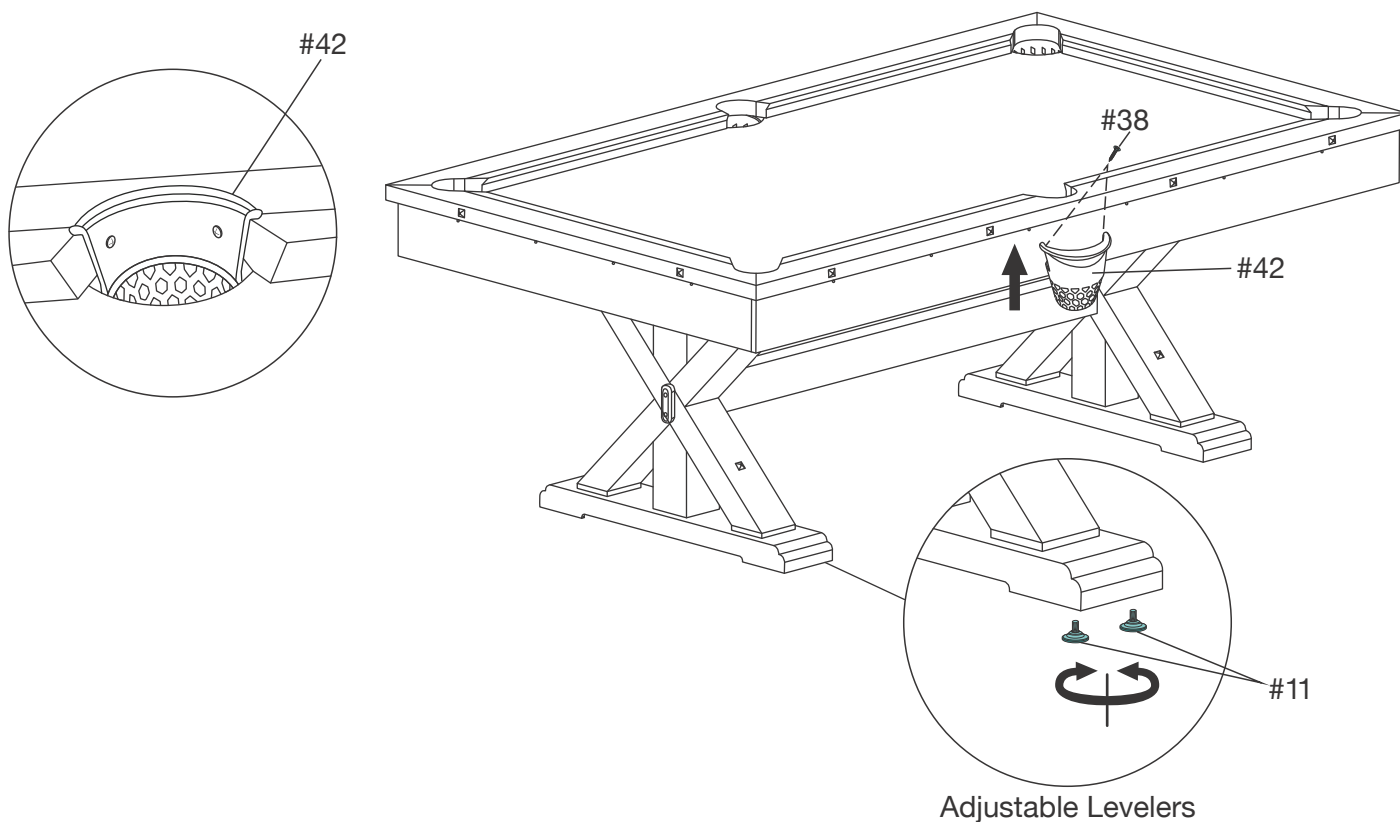
Position the table in its desired location and level the table to the floor by adjusting the leg levelers

ROCKFORD 7' POOL TABLE WITH TABLE TENNIS TOP ASSEMBLY INSTRUCTIONS

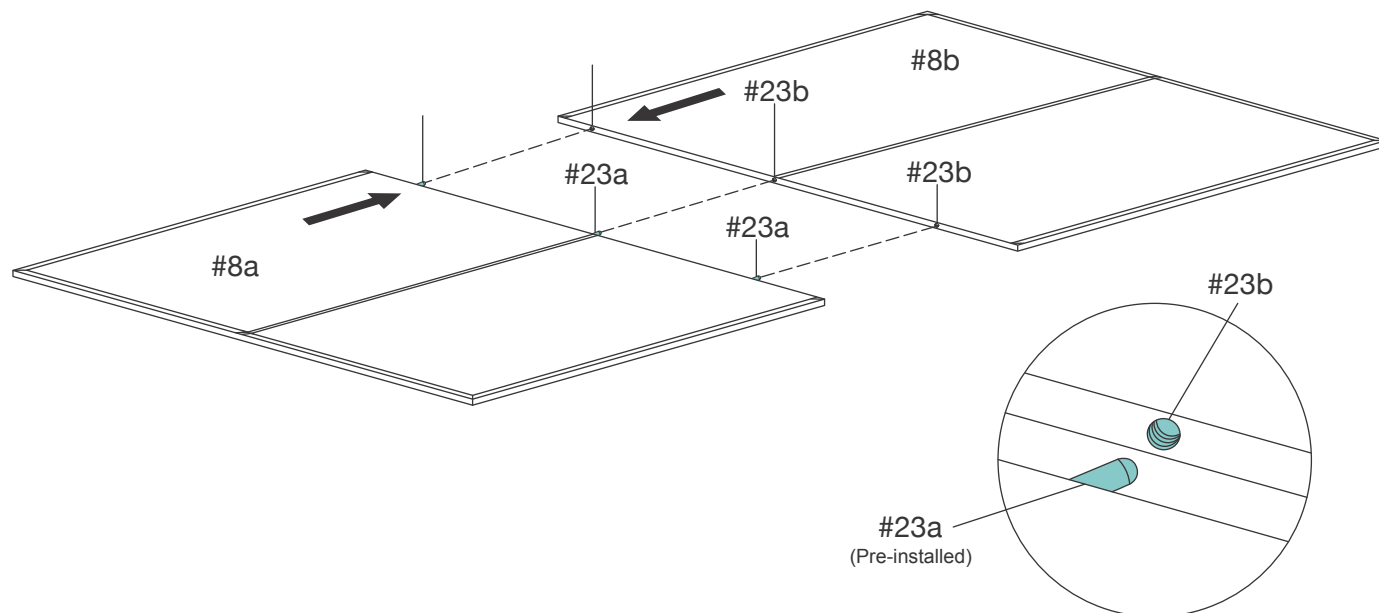
STEP 7

Insert #42 pocket from the underside into the side pocket cutout area, align the pocket with the top rail and secure with two #38 screws.

CAUTION: USE LOW TORQUE DO NOT OVERTIGHTEN AS THIS WILL STRIP THE HOLES.

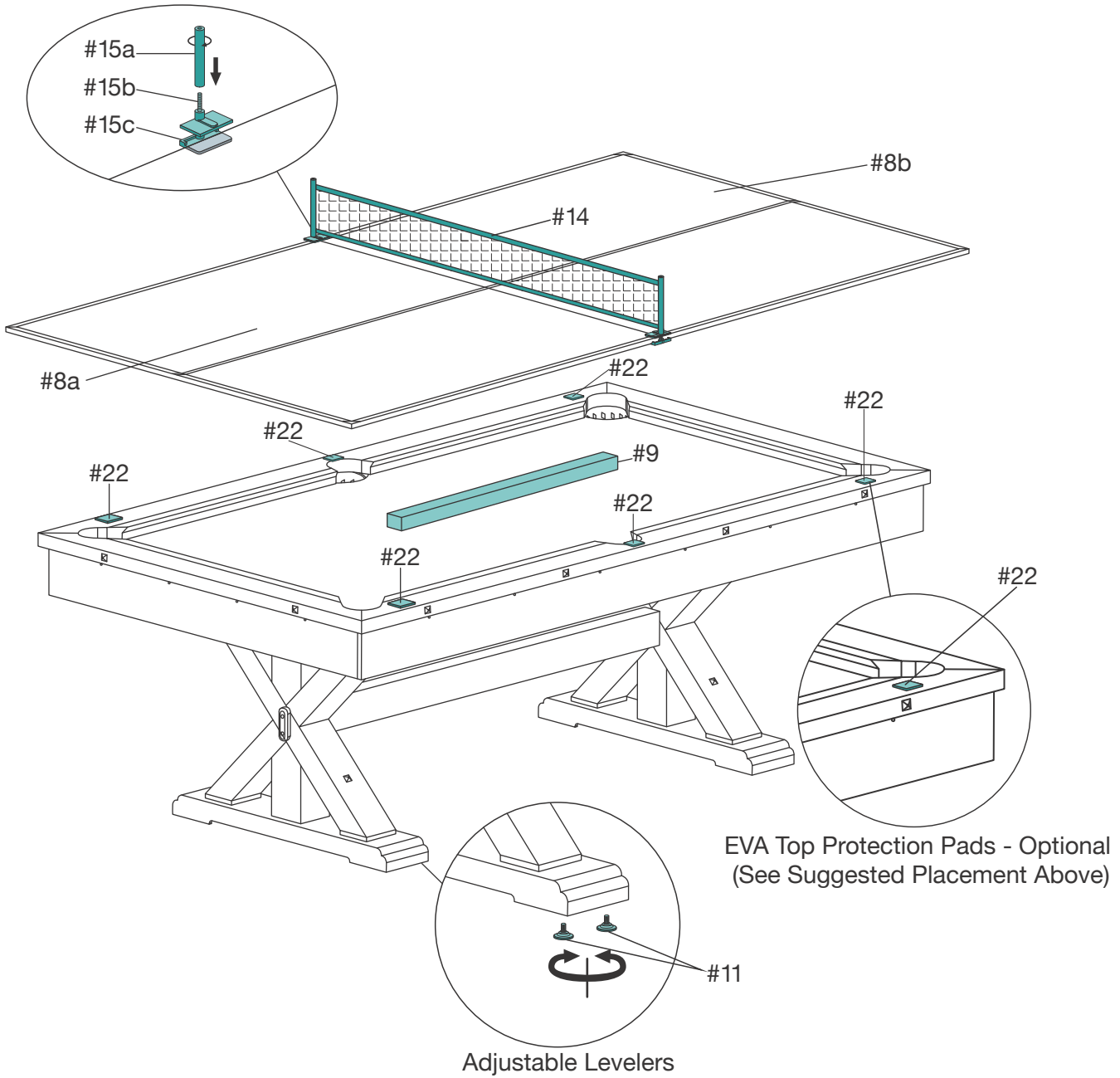


STEP 8



ROCKFORD 7' POOL TABLE WITH TABLE TENNIS TOP ASSEMBLY INSTRUCTIONS

STEP 9



YOU MAY ALSO WANT

UNIVERSAL POOL TABLE COVER

Will fit 7' and 8' tables. Our lightweight, deluxe cover protects your pool table from fading, spills, dust, and dirt. Oversized for complete coverage. Made from breathable dust proof fabric, the cover has durable double stitched seams and weighted corners to ensure it stays put. 106" L x 64" W. **1-Year Warranty.**



Item#	Description	Price
RB9210	Universal Pool Table Cover	\$19.95

1-YEAR LIMITED WARRANTY

This product is warranted to the original purchaser to be free from defects in material or workmanship for a period of 1-Year from the date of the original retail purchase.

This warranty does not cover defects or damage due to improper installation, alteration, accident, or any other event beyond the control of the manufacturer. Defect or damage resulting from misuse, abuse, or negligence will void this warranty. This warranty does not cover scratching or damage that may result from normal usage.

This product is not intended for institutional or commercial use: the manufacturer does not assume any liability for such use. Institutional or commercial use will void this warranty.

This warranty is nontransferable and is expressly limited to the repair or replacement of the defective product. During the warranty period, the manufacturer shall repair or replace defective parts at no cost to the purchaser. Labor charges and related expenses for removal, installation or replacement of the product, or components are not covered under this warranty.

The manufacturer reserves the right to make substitutions to warranty claims if parts are unavailable or obsolete.

The manufacturer shall not be liable for loss of use of the product, or other consequential or incidental costs, expenses or damage incurred by the consumer of any other use.

All warranty claims must be made to Freetime Fun. A purchase receipt with purchase date will be required to process all warranty claims. The model number and part numbers found within the assembly instructions will be required when submitting any parts requests or warranty claims.

**BE SURE TO CHECK OUR WEBSITE AT FREETIMEFUN.COM
FOR GREAT NEW GAMES, SAUNAS, PATIO, AND POOL SUPPLIES FOR YOUR HOME AND FAMILY!**

WWW.FREETIMEFUN.COM



**BEST IN GAMES, SAUNAS,
POOL AND PATIO**

**1830 E. FABYAN PKWY, BATAVIA, IL 60510
PHONE: 1-888-620-6088
EMAIL: CUSTOMERSERVICE@FREETIMEFUN.COM**

**TO ORDER REPLACEMENT PARTS
VISIT OUR WEBSITE
WWW.FREETIMEFUN.COM**