



BEST IN GAMES, SAUNAS,  
POOL AND PATIO

# ROCKFORD

CUE RACK  
RB3116



FREETIME FUN  
1830 E. FABYAN PKWY.  
BATAVIA, IL 60510  
WWW.FREETIMEFUN.COM

Check all packaging before discarding.

Be sure all parts identified in the assembly manual are included.

Don't assemble if parts are missing.

If you are missing parts or have questions please contact our toll free line at 1-888-620-6088.

Thank you for purchasing this product. If you experience any issues during assembly or use of this product, please don't hesitate to contact Customer Service at **1-888-620-6088** for immediate assistance.

## ASSEMBLY TIPS

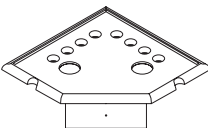
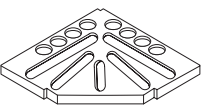


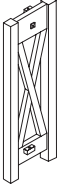
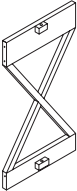

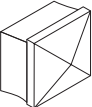
**IMPORTANT! PLEASE READ THESE ASSEMBLY INSTRUCTIONS IN ENTIRETY BEFORE ASSEMBLING YOUR PRODUCT.**

**Estimated Assembly Time: 45 min.**

1. Find a clean, level surface to begin the assembly of your cue rack. You may want to carefully cut the four corners of the box so that the bottom of the box can be used as your work surface.
2. Remove all of the contents from the box and verify that you have all of the parts shown on the Parts List before you begin assembly. **Note: Some parts are pre-installed.**
3. **When installing parts that have more than one screw or bolt, hand tighten all screws or bolts in place before final tightening with screwdriver or wrench.**
4. Electric screwdrivers may be helpful during assembly; however, please set a low torque and use extreme caution because screws may be stripped if overtightened, resulting in damaged parts.

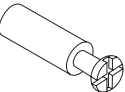





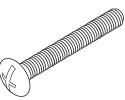

► **THIS PRODUCT IS INTENDED FOR INDOOR USE ONLY.**

## CUE RACK PARTS

<p>1</p>  <p>Top Panel XRB14201 (1)</p>	<p>2</p>  <p>Bottom Panel XRB14202 (1)</p>	<p>3</p>  <p>Cross Base XRB14203 (1)</p>	<p>4</p>  <p>Left Side Frame XRB14204 (1)</p>	<p>5</p>  <p>Right Side Frame XRB14205 (1)</p>	<p>6</p>  <p>Back Side Frame XRB14206 (2)</p>
<p>7</p>  <p>Upright Support XRB1407 (1)</p>	<p>15</p>  <p>Drawer Knob XRB14213 (1)</p>				

## HARDWARE PACK RB3116

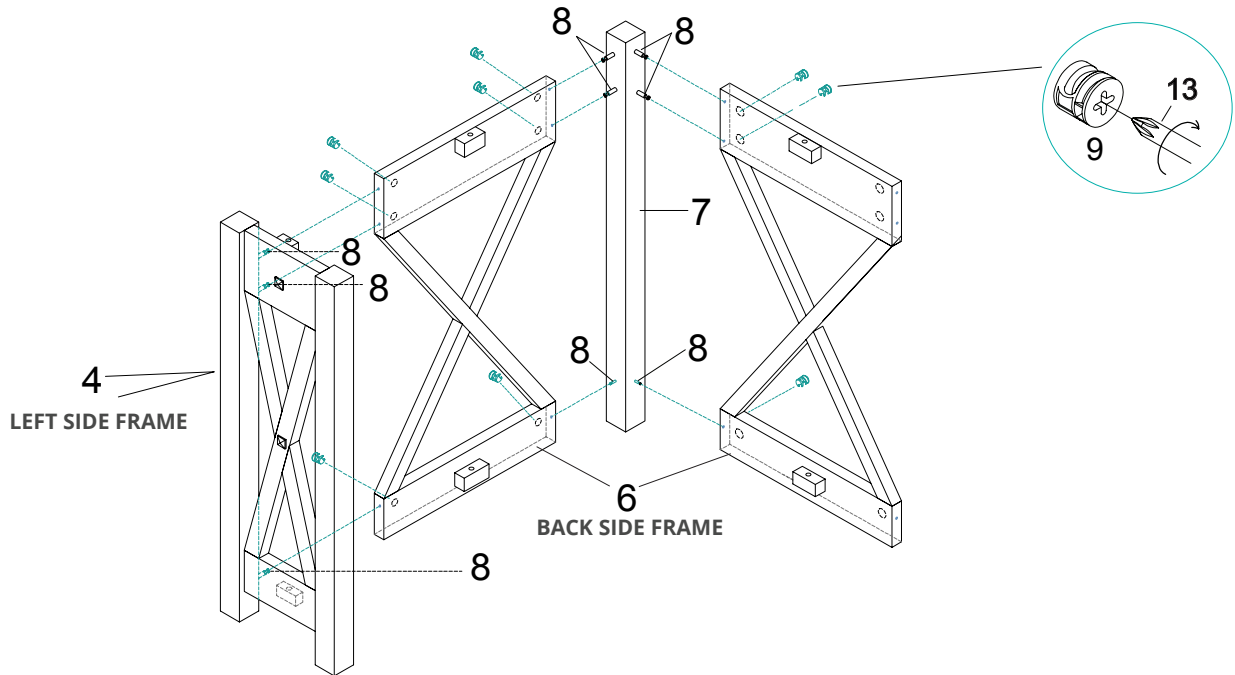
XRB14220

<p>8</p>  <p>Cam Dowel (12)</p>	<p>9</p>  <p>Cam Lock Nut (12)</p>	<p>10</p>  <p>1/4" x 1 1/4" Bolt (10)</p>	<p>11</p>  <p>1/4" Spring Washer (10)</p>	<p>12</p>  <p>1/4" x 1/2" Flat Washer (10)</p>	<p>13</p>  <p>Allen Wrench (1)</p>
<p>14</p>  <p>1/8" x 1 1/4" Bolt (1)</p>	<p>16</p>  <p>Rack Hook (1)</p>				

# ROCKFORD CUE RACK INSTRUCTION MANUAL

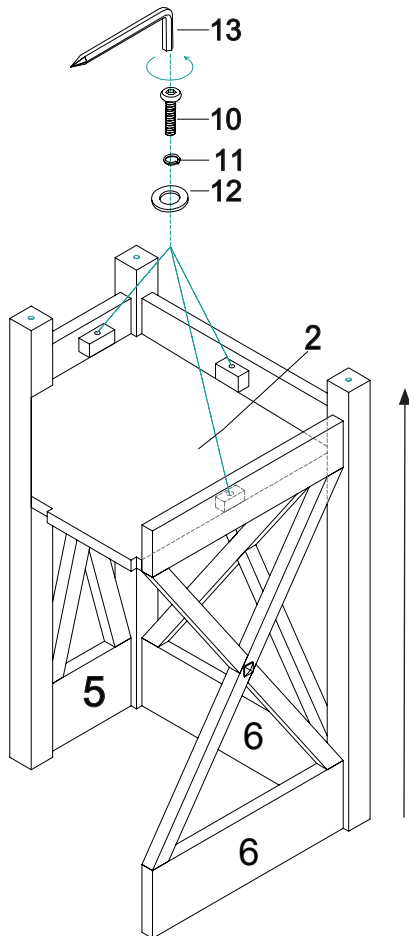
## STEP 1 :

CONNECT THE TWO BACK SIDE FRAMES (6) TO UPRIGHT SUPPORT POST (7) & LEFT SIDE FRAME (4) WITH CAM DOWELS (8) & LOCK NUTS (9)



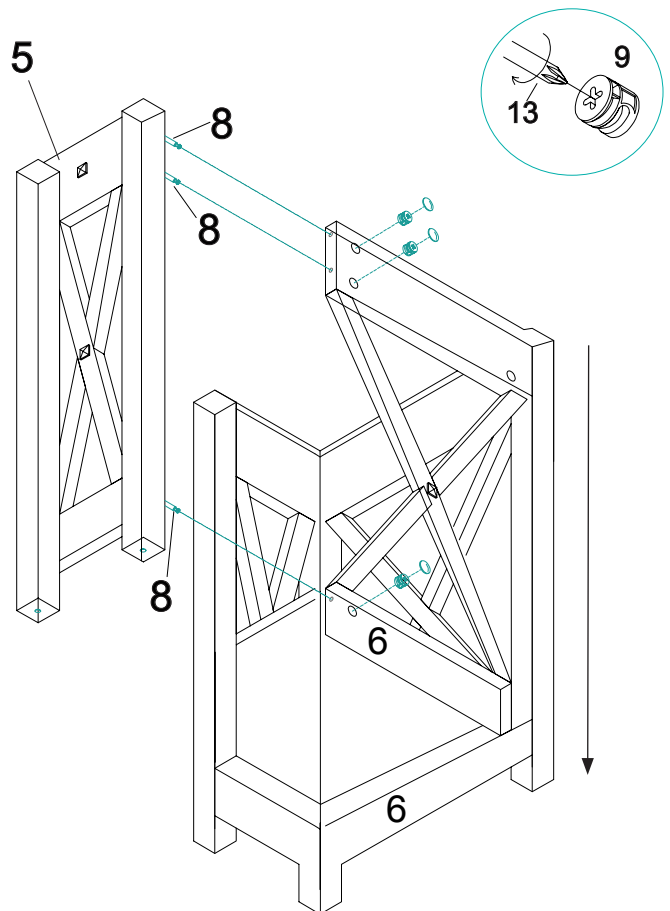
## STEP 2 :

TURN UNIT UPSIDE DOWN & ATTACH THE BOTTOM PANEL (2) WITH BOLTS (10) & WASHERS (11/12)



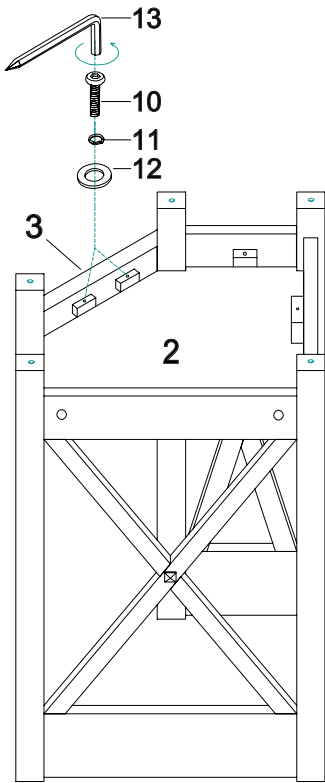
## STEP 3 :

FLIP THE UNIT RIGHT SIDE UP & CONNECT RIGHT SIDE FRAME (5) TO BACK SIDE FRAME (6) WITH CAM DOWELS (8) & LOCK NUTS (9)

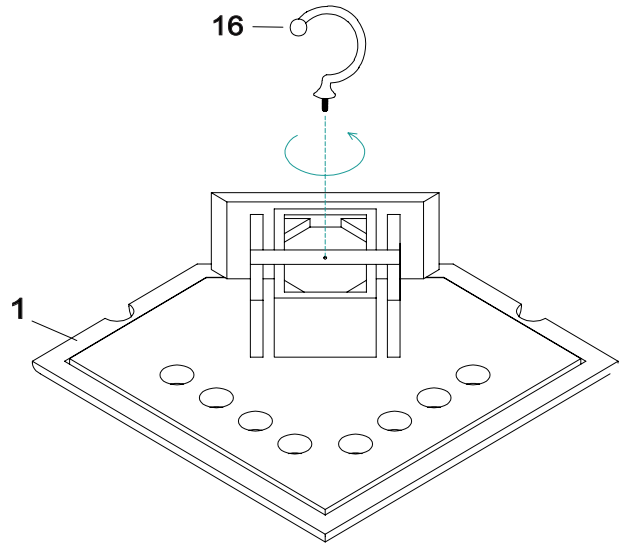


# ROCKFORD CUE RACK INSTRUCTION MANUAL

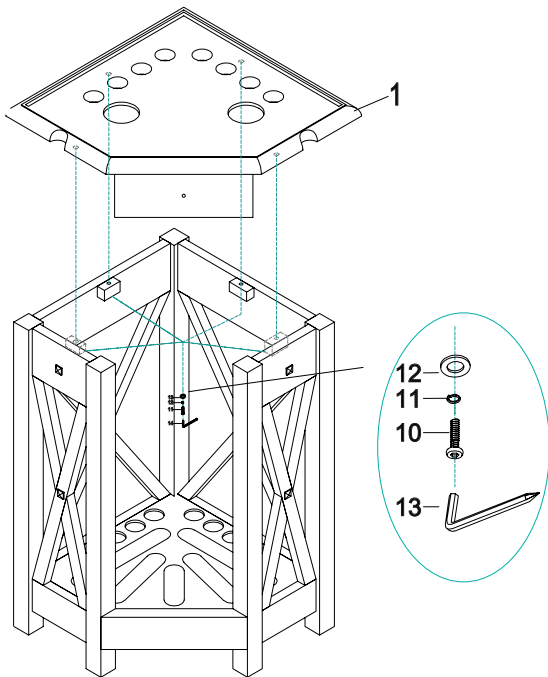
**STEP 4 :** SECURE CROSS BRACE (3) TO THE BOTTOM PANEL (2) WITH BOLTS (10) & WASHERS (11/12)



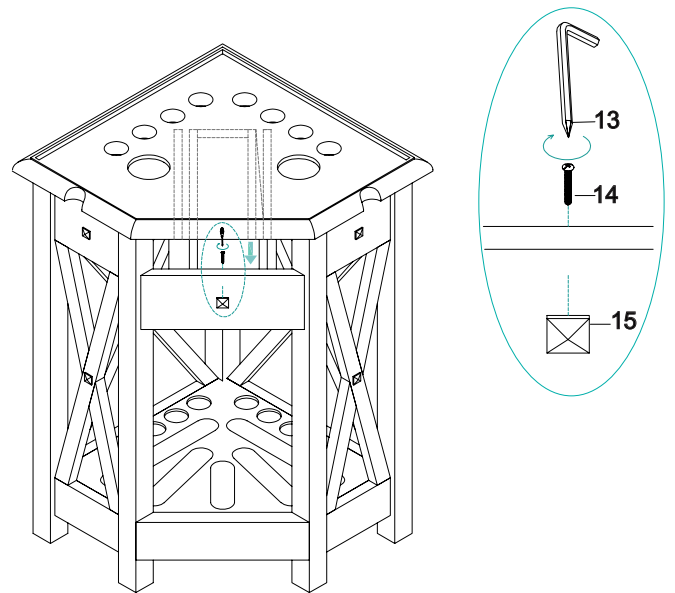
**STEP 5 :** ATTACH THE RACK HOOK (16) TO THE UNDERSIDE OF TOP PANEL (1)



**STEP 6 :** ATTACH TOP PANEL (1) TO FRAME & SECURE WITH BOLTS (10) & WASHERS (11/12)



**STEP 6 :** ATTACH DRAWER KNOB WITH BOLT (14)



## 1-YEAR LIMITED WARRANTY

This product is warranted to the original purchaser to be free from defects in material or workmanship for a period of 1-Year from the date of the original retail purchase.

This warranty does not cover defects or damage due to improper installation, alteration, accident, or any other event beyond the control of the manufacturer. Defect or damage resulting from misuse, abuse, or negligence will void this warranty. This warranty does not cover scratching or damage that may result from normal usage.

This product is not intended for institutional or commercial use: the manufacturer does not assume any liability for such use. Institutional or commercial use will void this warranty.

This warranty is nontransferable and is expressly limited to the repair or replacement of the defective product. During the warranty period, the manufacturer shall repair or replace defective parts at no cost to the purchaser. Labor charges and related expenses for removal, installation or replacement of the product, or components are not covered under this warranty.

The manufacturer reserves the right to make substitutions to warranty claims if parts are unavailable or obsolete.

The manufacturer shall not be liable for loss of use of the product, or other consequential or incidental costs, expenses or damage incurred by the consumer of any other use.

All warranty claims must be made to Freetime Fun. A purchase receipt with purchase date will be required to process all warranty claims. The model number and part numbers found within the assembly instructions will be required when submitting any parts requests or warranty claims.

**BE SURE TO CHECK OUR WEBSITE AT [FREETIMEFUN.COM](http://FREETIMEFUN.COM)  
FOR GREAT NEW GAMES, SAUNAS, PATIO, AND POOL SUPPLIES FOR YOUR HOME AND FAMILY!  
[WWW.FREETIMEFUN.COM](http://WWW.FREETIMEFUN.COM)**



1830 E. FABYAN PKWY, BATAVIA, IL 60510  
PHONE: 1-888-620-6088  
EMAIL: [CUSTOMERSERVICE@FREETIMEFUN.COM](mailto:CUSTOMERSERVICE@FREETIMEFUN.COM)

**TO ORDER REPLACEMENT PARTS  
VISIT OUR WEBSITE  
[WWW.FREETIMEFUN.COM](http://WWW.FREETIMEFUN.COM)**