



BEST IN GAMES, SAUNAS,
POOL AND PATIO

GORILLA MESH™

Safety Cover Installation Instructions

Care and Maintenance Instructions

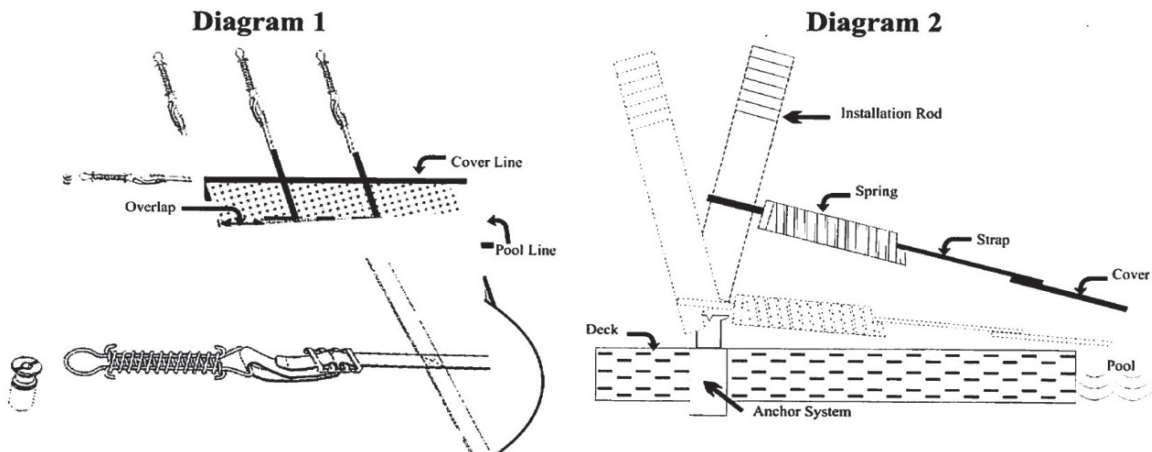
Booklet

GORILLA MESH™

Safety Cover Installation Instructions

Rectangular Cover Installation

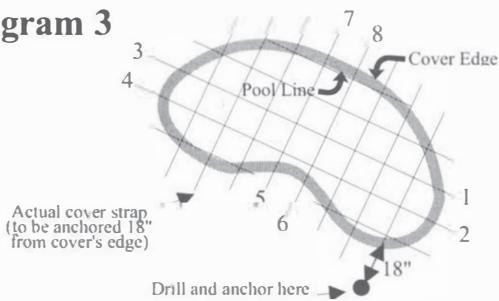
1. After removing ladders and rails, pad all rough corners or sharp edges. Excessive wear due to non-padded areas is specifically excluded from the warranty.
2. Lay the cover over the pool evenly (protective strips on the bottom), with equal overlap between the edge of the pool and the edge of the cover (the overlap may range from 11" to 14").
3. Anchors will be installed at the corners of the cover first. Measure and mark the anchor points on the deck approximately 18" from the corner of the cover along the **width** line; then measure and mark the anchor point approximately 18" from the corner of the cover along the **length** line. The two anchors will be at right angles to the cover edge, as shown in **diagram 1**. Repeat for the remaining three corners of the cover.
4.
 - a) Install the eight-corer-anchors. Using a rotary hammer drill, drill a 3/4" hole, 2" deep. It is helpful to use a measuring guide or tape to mark 2" from the tip of the bit to ensure accurate depth each time. Drilling dust should be removed to ensure a proper fit.
 - b) Remove the anchor screw from casing and spray both pieces as well as the tamping tool with silicon.
 - c) Insert the tamping tool into the anchor casing and tamp the casing into place, then install the anchor screw into the casing using hex key.
5.
 - a) Lace each corner strap through the triangle shaped side of a spring. Adjust the buckle so that the spring will be 60% compressed (when attached to the anchor). See **diagram 1**.
 - b) To attach the spring to the anchor, insert the aluminum installation rod through the round end of the spring.
 - c) Place the heel of the rod behind the raised anchor screws with the notched area toward the pool, then pull the rod handle away from the pool, using your foot to assist the sliding of the spring onto the raised anchor. See **diagram 2**.
 - d) Rotate the rod until the heel is free from the anchor bolt (180°).
6. Once the corner installations are complete, install the remaining anchors **approximately 18" from the edge of the cover**, in a straight line with each strap. Each anchor must be at a right angle to the edge of the cover to ensure there are no bulges.
7. When installation is complete, check and adjust springs as necessary to ensure that the tension is equal on all parts of the cover, and all edges are straight.



Formfit Cover Installation

1. After removing ladders and rails, pad all rough corners or sharp edges. Excessive wear due to non-padded areas is specifically excluded from the warranty.
2. Lay the cover over the pool evenly (protective strips on the bottom), with equal overlap between the edge of the pool and the edge of the cover. (this may range from 11" to 14")
3. Anchors will be installed at the two middle straps at each end (lengthwise) of the cover first. (numbers 1-4 in **diagram 3**). Measure and mark the anchor points on the deck 18" from the edge of the cover.
4. Install anchors for these first 4 positions (see #4 under Rectangular Cover installation instructions on reverse).
5. Install springs for the first 4 positions (see #5 under Rectangular Cover Installation instructions on reverse).
6. Measure and mark the anchor points for the 2 middle straps at each side (widthwise) next, 18" from the edge of the cover. (numbers 5-8 in **diagram 3**). Install the anchors and springs for these points
7. Once the first 8 anchors are secure, mark points (18" from the edge of the cover), and install remaining anchors from the middle out to the ends of the cover, alternating from side to side.
8. When installation is complete, check and adjust springs as necessary to ensure that the tension is equal on all parts of the cover. The cover should lie flat with no creases.

Diagram 3



Installation of anchors in surfaces other than concrete

Brick, Stone, Lawn, Paves:

To safely secure anchors in brick, stone, lawn, or paves, a 9" length of 3/4" inside diameter pipe or conduit is required for each anchor.

1. Insert brass anchor casing into the end of a 3/4" pipe or conduit.
2. Drill a hole through the deck surface, just large enough to fit the pipe or conduit snugly.
3. Drive the pipe through the hole and into the ground until it is flush with the surface. To prevent damage to the anchor, place a block of wood over the end of the pipe first. The pipe must be minimum 8" into the ground. See **diagram 4**.
4. Screw brass insert into the anchor casing.

Wood Decks:

The pipe/conduit method (described above) or Wood Deck Anchor Flanges may be used for wood decks.

Wood Deck Anchor Flanges

1. Countersink 1-1/2" diameter hole 1/8" deep into wood deck.
2. Drill 3/4" diameter hole into wood deck, at least 2" deep.
3. Insert anchor flange into hole and tap until top of flange is flush with wood deck.
4. Secure flange with 4 wood screws, then screw brass insert into flange. See **diagram 5**.

Diagram 4

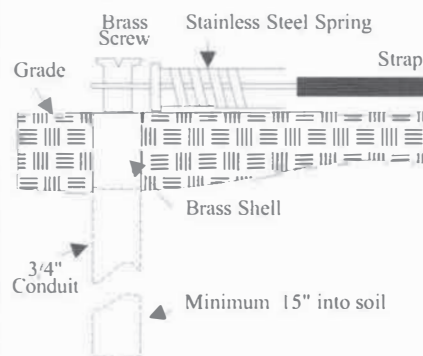
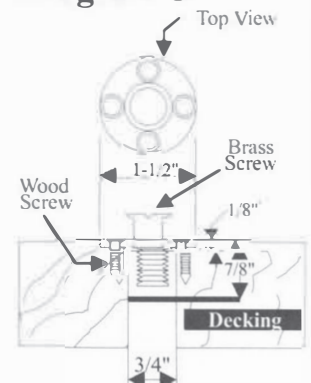


Diagram 5



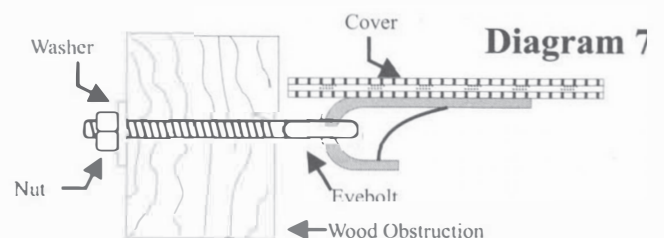
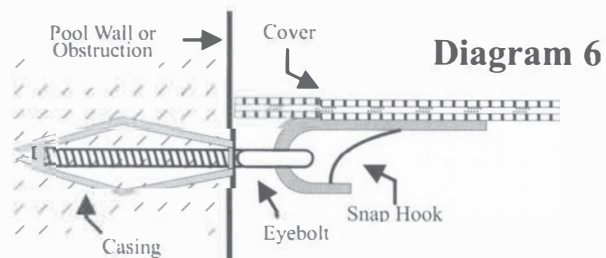
Raised Wall, Bond Beam Rock or Waterfall Installation

Special installation is required for the above obstructions, as there is inadequate space for regular anchors and springs. The underside of the cover has snaphooks sewn on which will fasten to eyebolts secured into the wall or obstruction. **Always install these sections first.**

1. Once the cover has been laid over the pool with equal overlap on all sides, use the sewn eyehooks on the underside of the cover to mark the location of the eyebolts on the obstruction.
2. At each eyebolt, use a 1/4" bit to drill a pilot hole, then continue drilling with a 5/8" bit to a depth of 2-1/4" in the obstruction.
3. Insert the 2 piece lead shield, flared end first, into the hole.
4. Screw the supplied eyebolt (5/16" with 1" eye) into the lead shield.
5. Fasten the snaphook on the cover to the eyebolt.
See **diagram 6**.

Wood Obstructions

Installation is the same as above, however, the eyebolts are screwed directly into the wood, then secured with the washer and nut provided. See **diagram 7**.



Care and Maintenance Instructions

Springs

- Upon initial installation, springs should be compressed about 60% to provide a good fit. The tension will gradually decrease on its own.
- We recommend re-tightening the cover 2 to 3 weeks after initial installation.

Water Level

- For the full snow season, the pool water level must be no lower than 15" to 18" below the top of the pool. This allows cover to support the weight of the snow without excessive stress.
- Failure to maintain the proper water level will void the warranty.

Water Treatment

- Proper levels of chlorine and algaecide are required year round to maintain clear and clean pool water. Additional algaecide should be added to the pool when the air temperature is consistently 16°C (60°F) or higher.

Anchors

- Anchor casings should be flushed out with a hose two to three times per year. Simply remove the anchor screw to flush the casing.
- Close anchor completely (i.e. flush with the deck) when cover is removed.

Removal and Storage

- The cover should be cleaned by hose prior to removal
- For ease of handling, fold the cover accordion style during removal
- Store your cover in the provided bag and hang it to allow drainage through the bag.
- Store your cover in an elevated place to avoid animal or rodent infestation (i.e. garage, garden shed)

Safety

- Although the cover will support the weight of an adult or a child in an emergency, we **do not** recommend walking on it.

Preventative Measures

- ✓ Do not drag cover on concrete deck, or any abrasive surfaces
- ✓ Check pool to ensure that water level is not lower than 18" below top of pool coping
- ✓ Be careful not to catch springs or brass anchors to cover material
- ✓ Carefully inspect cover every year at time of installation to ensure that material has not deteriorated from normal use
- ✓ It is recommended that rough surfaces be protected with padding (carpeting, vinyl etc.)

Freetime Fun™ will not be held responsible for improperly installed covers. Safety covers should be installed according to our instructions.